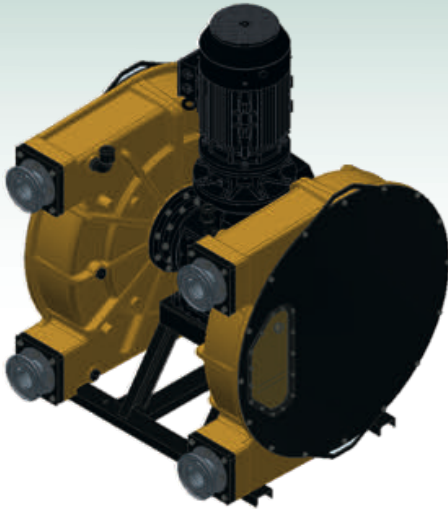


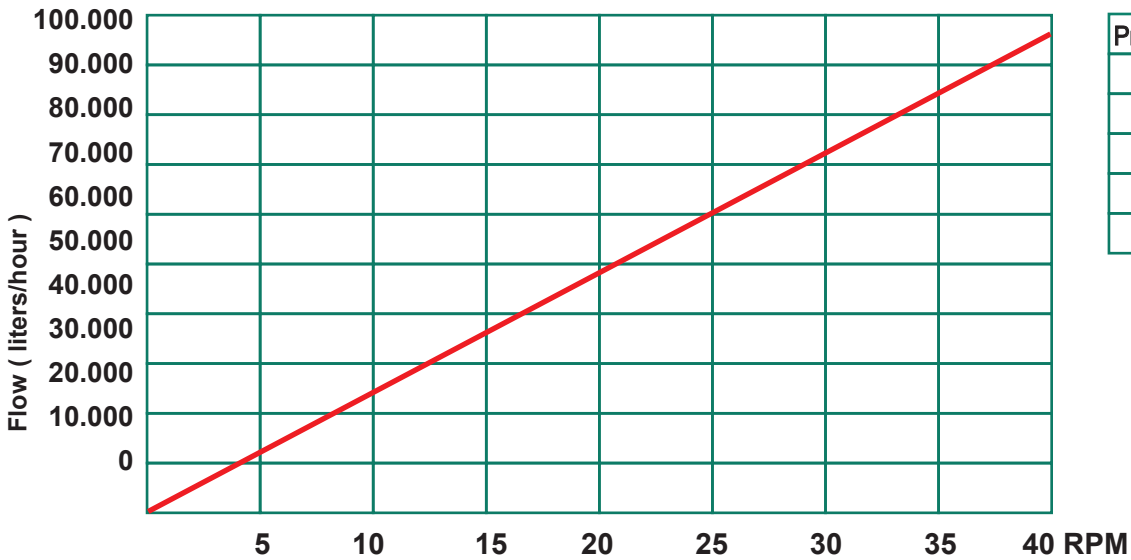


Industrial Peristaltic Pumps

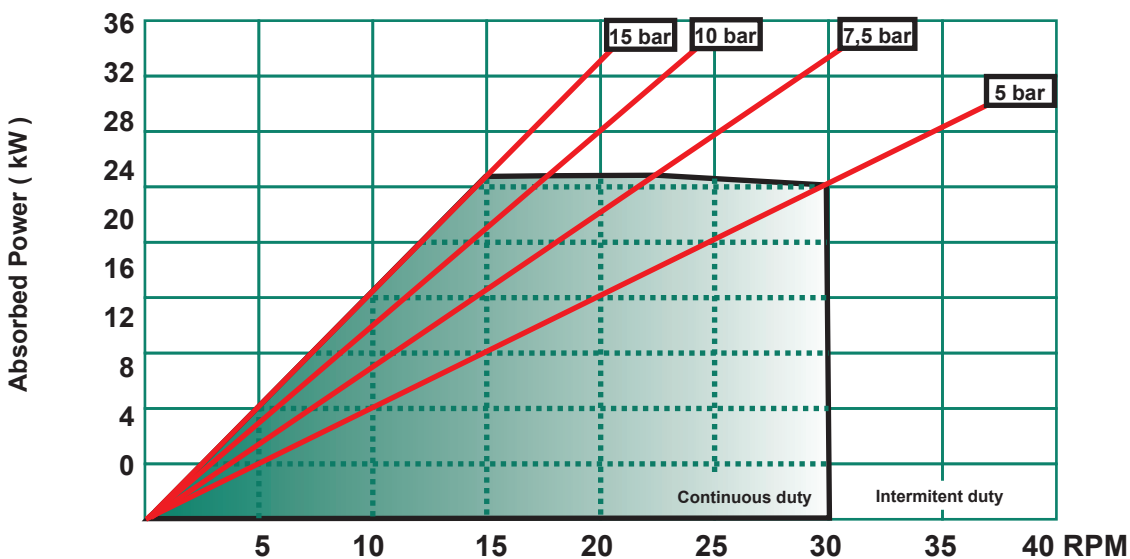
RBT-100 Duplex Data sheet



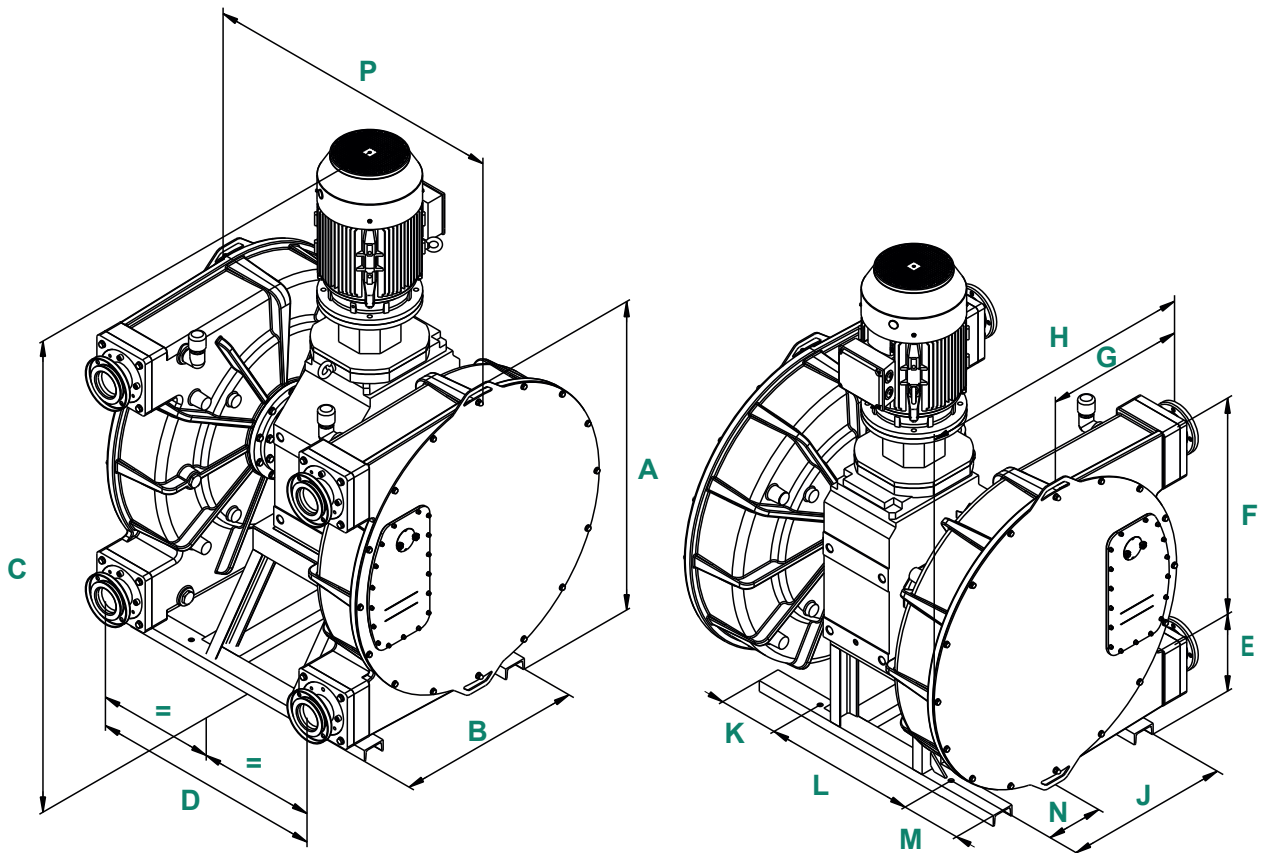
Capacity: 40 l/rev.
Connections: 2xDN-100
Max. Pressure: 15 bar
Rotor system: Shoes
Available hoses: NR
NBR
EPDM
HYPALON



Pressure (bar)	Torque (Nm)
Minimum	6200
5	7600
7,5	10800
10	13400
15	16200



Description	Material	Surface treatment
Pump housing	Cast Iron EN-GJL-250	Polyester powder coated Halar coated (Optional)
Front cover	Steel F-111 / Methacrilate	Polyester powder coated Halar coated (Optional)
Rotor	Nodular Cast Iron EN-GJL-400	Cataphoresis
Shoes	Nodular Cast Iron EN-GJL-400	Hardened
Base plate	Steel F-111 Stainless Steel AISI-304 (Optional)	Polyester powder coated --
Connections	Stainless Steel AISI-316 Polypropylene (Optional) PVDF (Optional)	--



A	B	C	D	E	F	G	H	J	K	L	M	N	P	Connections
1472	854.5	*	1077	271.5	1000	787	1437	754.5	275	700	275	240	1383	DIN DN100

* To confirm according type and power driver.



POMPY i SYSTEMY Sp. z o.o.
 ul. Kolibrów 4, 02-818 Warszawa
 tel. 22 549 79 40
 www.pompy.pl | pompy@pompy.pl