

INTERNAL GEAR PUMP
KIP SERIES

KIP $\frac{1}{2}$ "

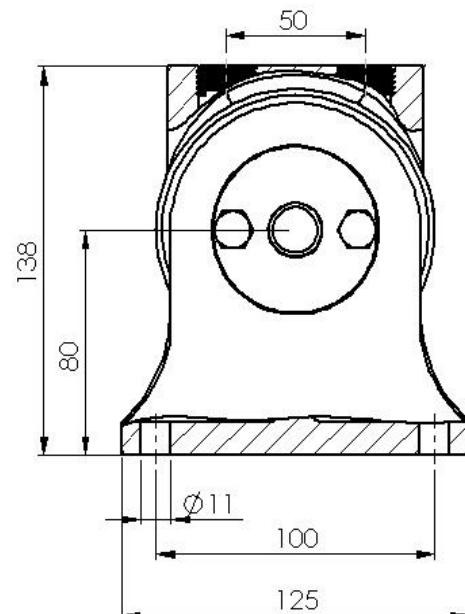
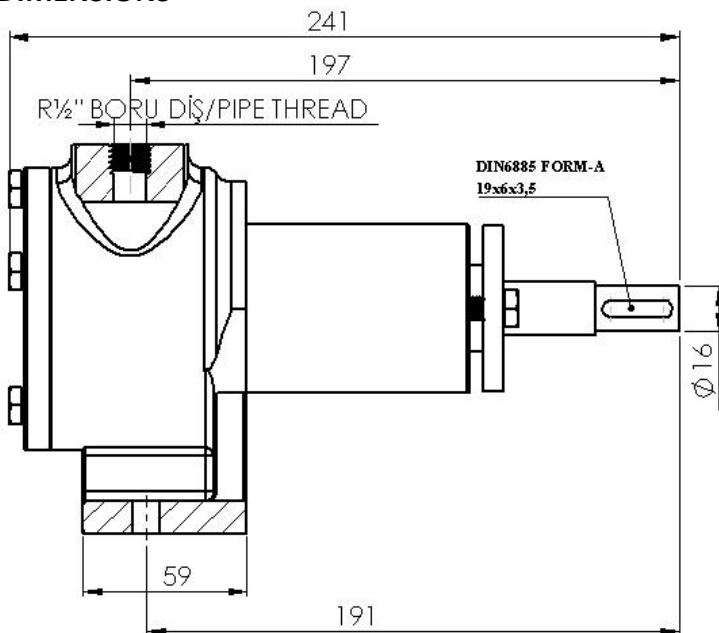


Ports	$\frac{1}{2}$ " Pipe Thread PN16
Pressure	2-14 bar
Flow Rate	0,017 L/rev
Max Flow	1,5 m ³ /h
Max Speed	1500 rpm
Viscosity Range	28 – 50,000 Cp
Temperature	20-180 °C
Body Material	Gray Cast Iron (GG25)
Shaft Material	AISI1040 Steel
Gear Material	AISI1040 Steel
Bushing	Bronze / Carbon Aided Teflon / Bearing
Sealing	Packing / Mechanical Sealing
Accessories	Heat Jacket / Filter
Weight	7,5 KG

ADVANTAGES

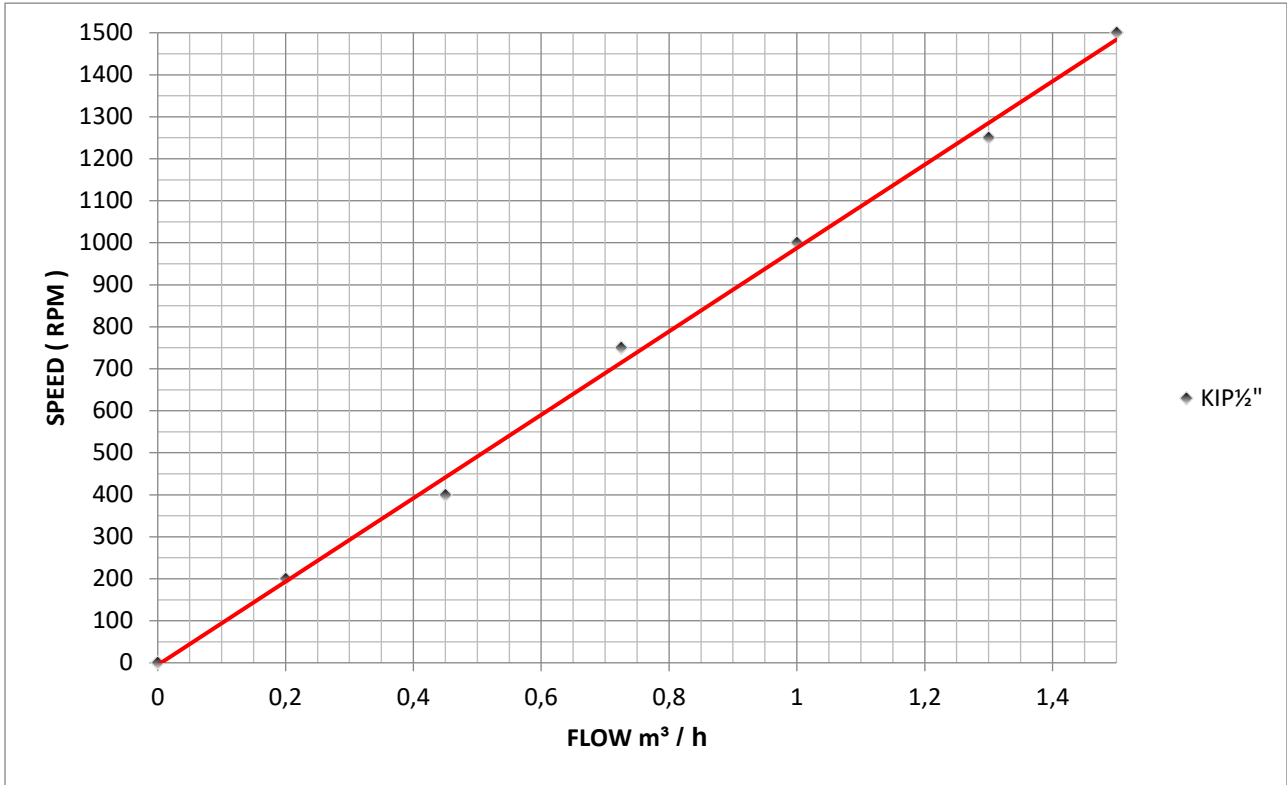
- ▶ Smaller body than the external gear pumps that supplies the same values
- ▶ Positive suction and non pulsating discharge
- ▶ Ideal for high-viscosity liquids because they work at low speeds
- ▶ Adjustable end clearance
- ▶ Easy to maintain
- ▶ Long life

DIMENSIONS

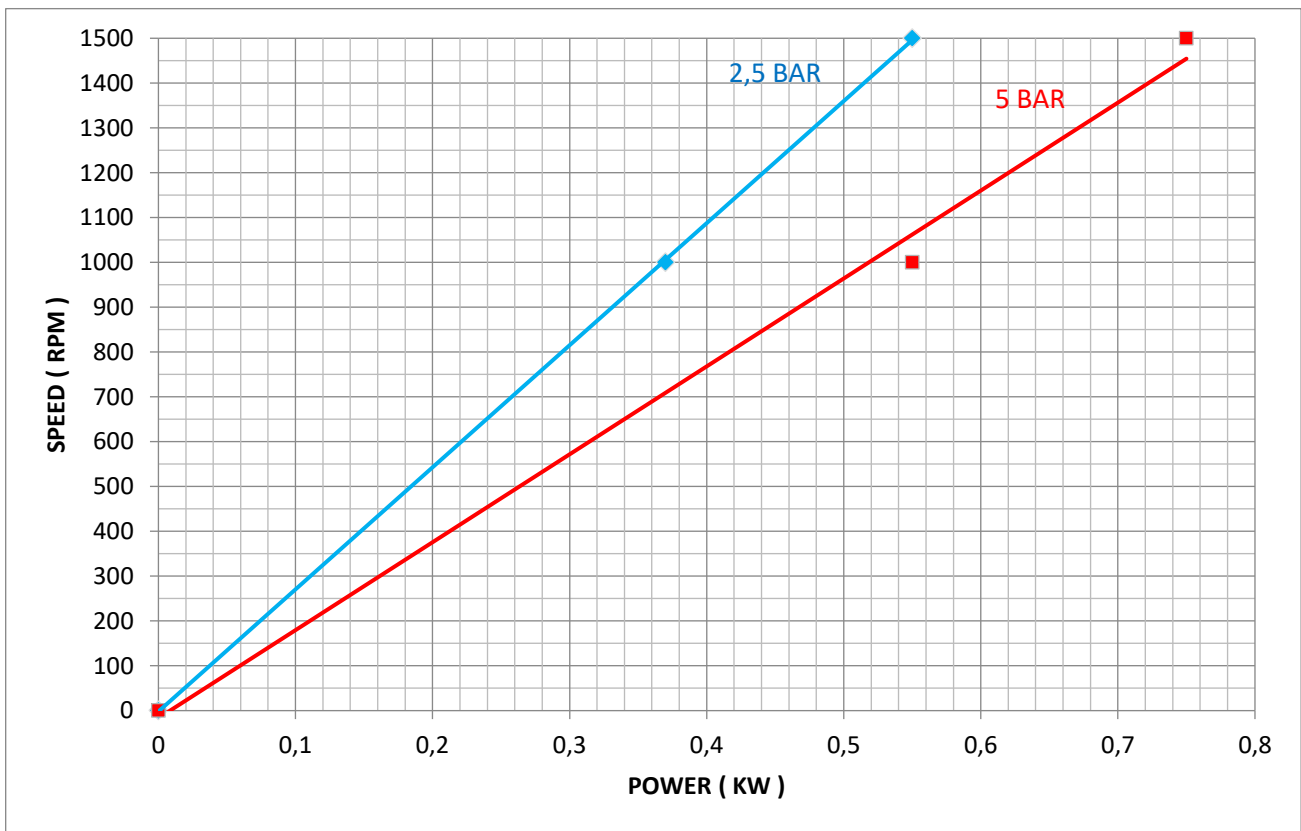


KIP½" INTERNAL GEAR PUMP PERFORMANCE CURVES

1- Speed-Flow



2- Speed - Power - Pressure



TESTS HAVE BEEN DONE WITH SAE30 OIL AT ROOM TEMPERATURE (APPROX. 100 CST)