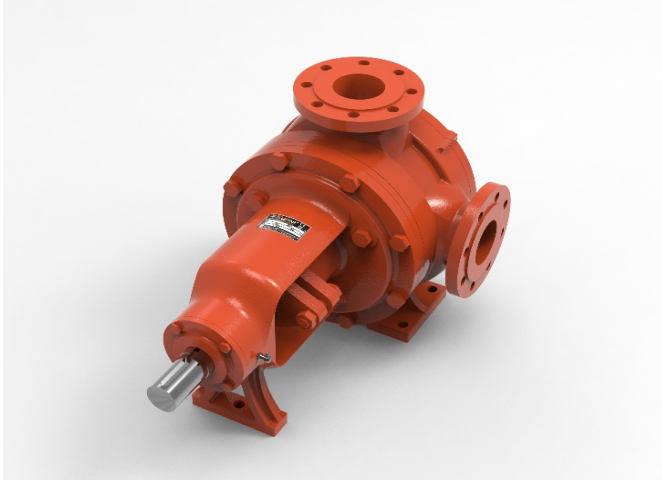


INTERNAL GEAR PUMP
KIP SERIES

KIP3"

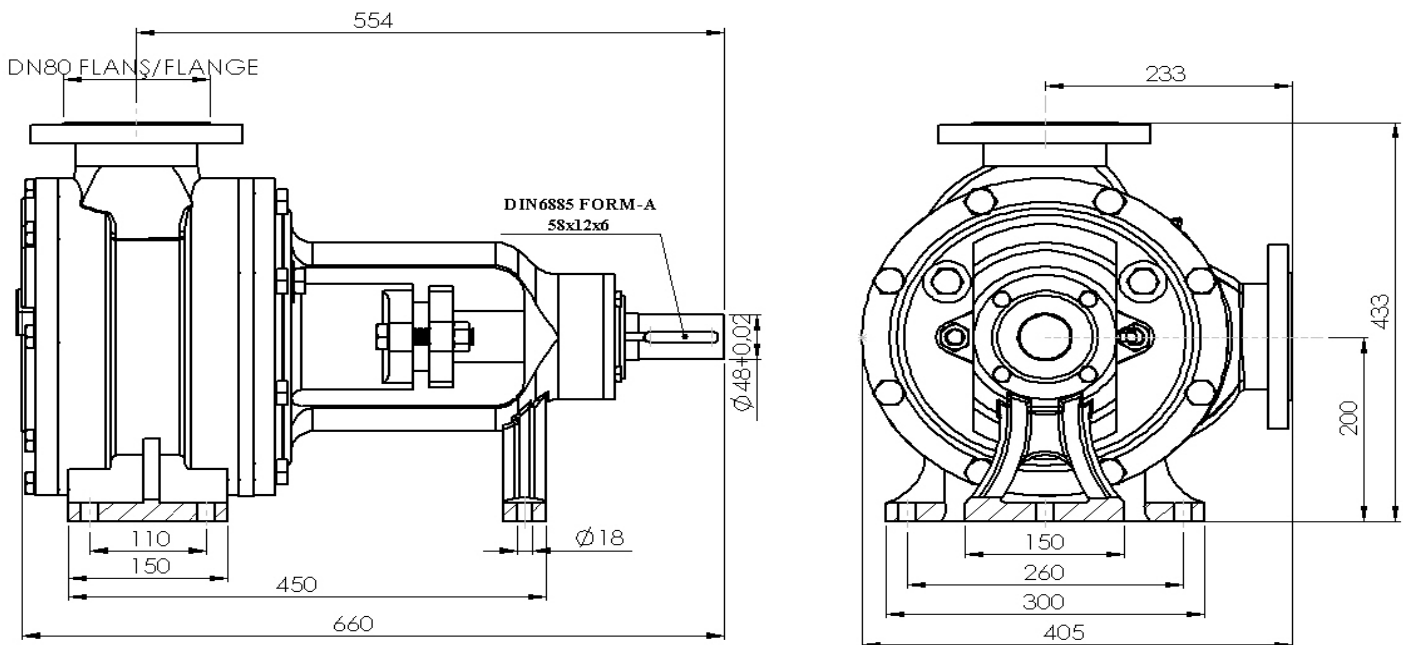


| | |
|-----------------|--|
| Ports | 3" Flange 90° PN16 |
| Pressure | 2-14 bar |
| Flow Rate | 2,222 L/rev |
| Max Flow | 60 m ³ /h |
| Max Speed | 450 rpm |
| Viscosity Range | 28 – 50,000 Cp |
| Temperature | 20-180 °C |
| Body Material | Gray Cast (GG25) / Stainless St (AISI316) |
| Shaft Material | AISI1040 Steel / AISI316 Steel / AISI420 Steel |
| Gear Material | Ductile Iron (GGG40) / Stainless St (AISI316) |
| Bushing | Bronze / Carbon Aided Teflon / Bearing |
| Sealing | Packing / Mechanical Sealing |
| Accessories | Heat Jacket / Relief Valf / Filter |
| Weight | 160 KG |

ADVANTAGES

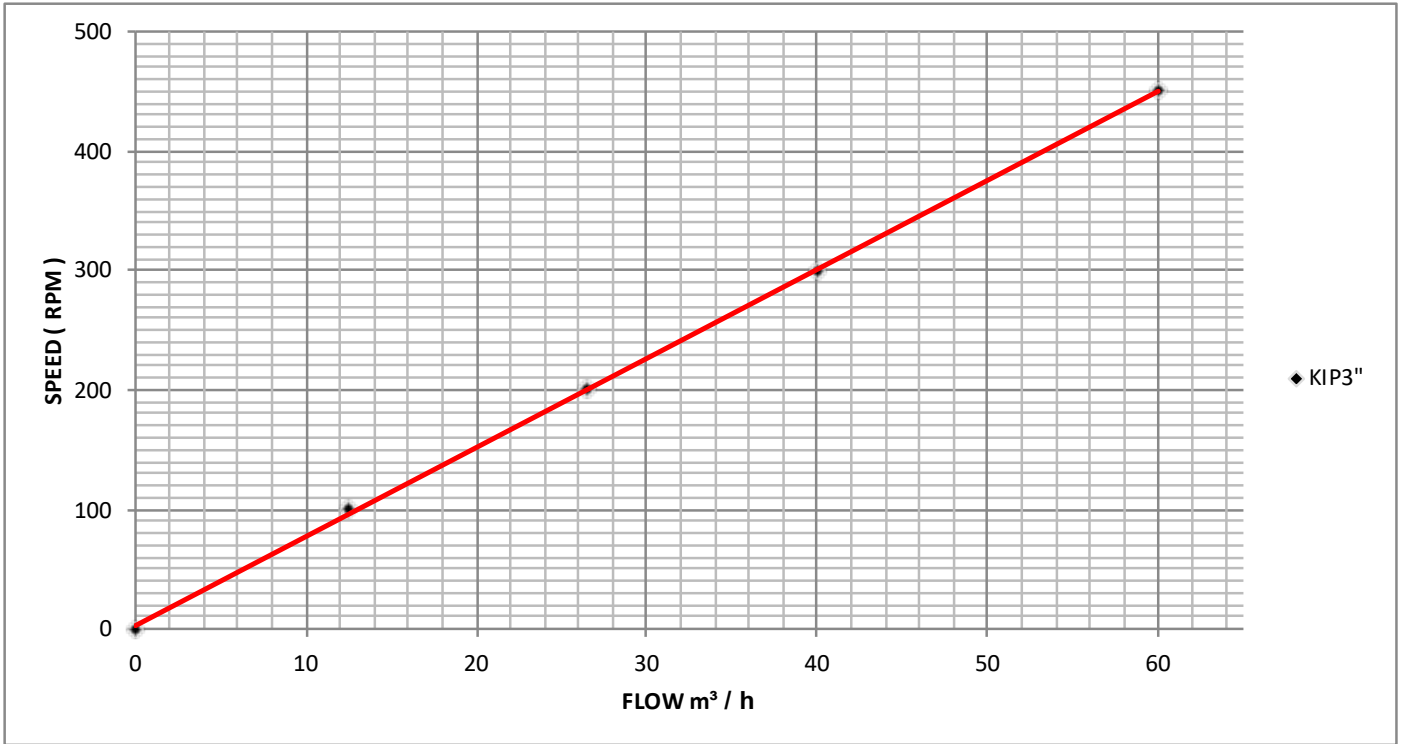
- ▶ Smaller body than the external gear pumps that supplies the same values
- ▶ Positive suction and non pulsating discharge
- ▶ Ideal for high-viscosity liquids because they work at low speeds
- ▶ Adjustable end clearance
- ▶ Easy to maintaince
- ▶ Long life

DIMENSIONS

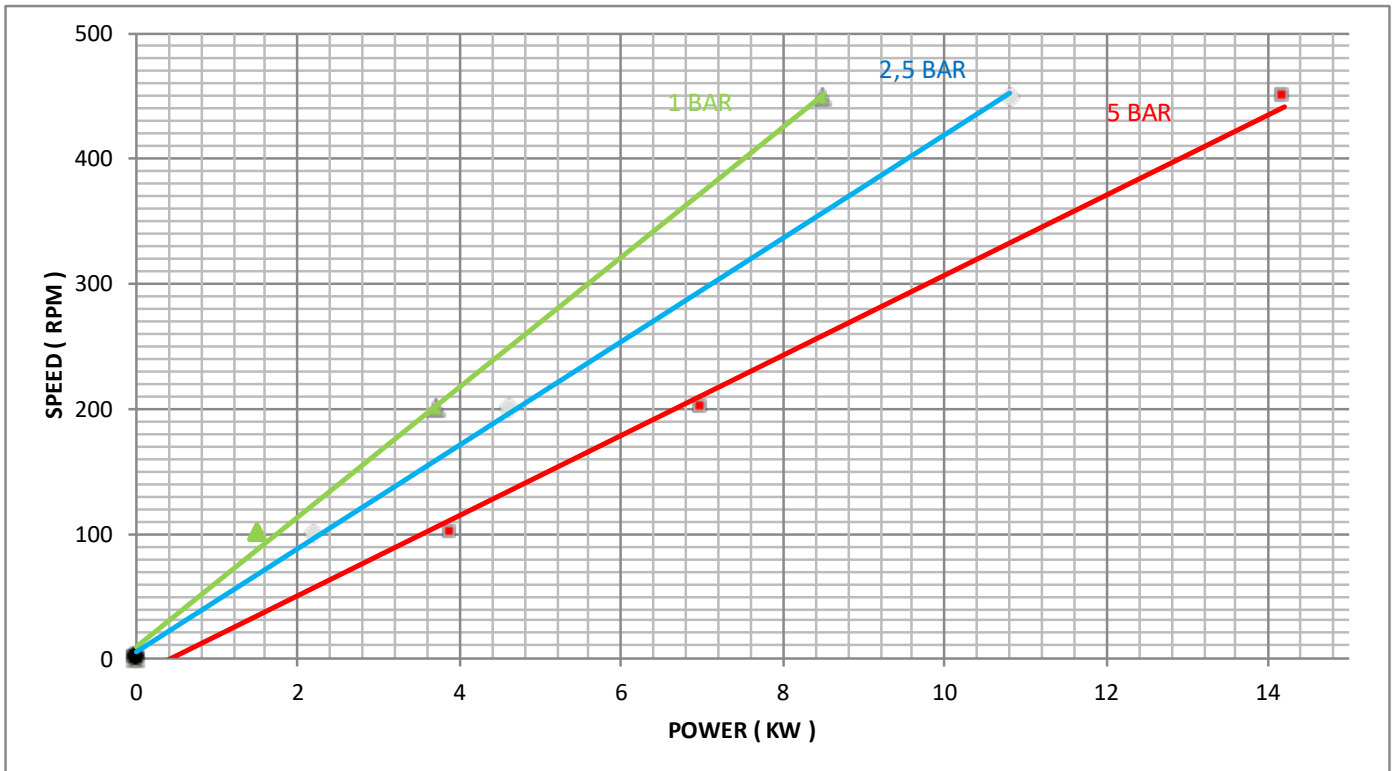


KIP3" INTERNAL GEAR PUMP PERFORMANCE CURVES

1- Speed-Flow



2- Speed - Power - Pressure



TESTS HAVE BEEN DONE WITH SAE30 OIL AT ROOM TEMPERATURE (APPROX. 100 CST)