

DO NOT SCALE
DRAWING
IF IN
DOUBT - ASK

DRAWING SPECIFICATIONS
UNLESS STATED OTHERWISE

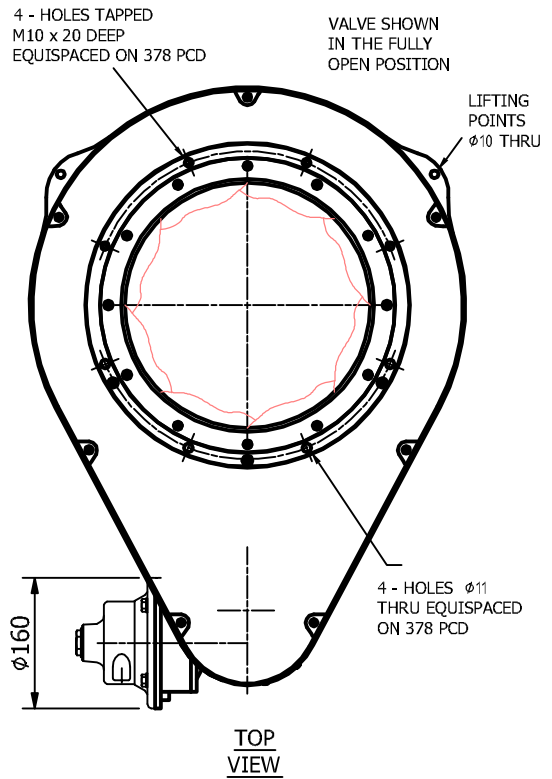
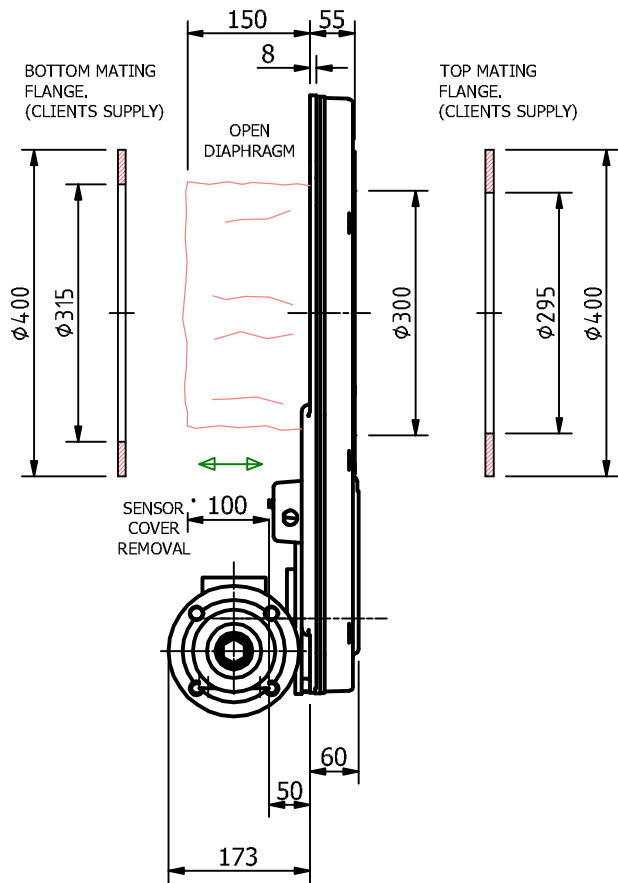
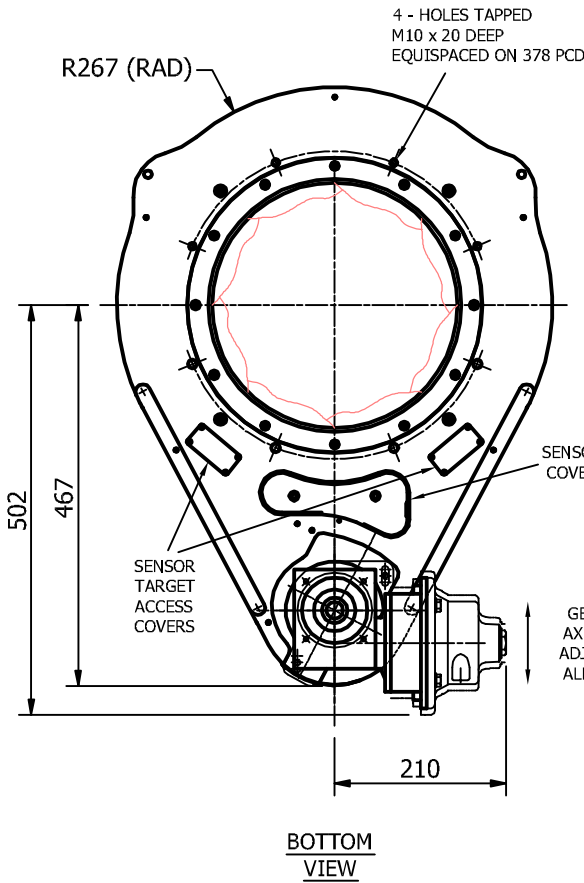
Screw threads to BS3643
ISO Metric Coarse Pitch Series (Medium Fit)
Surface Finish to BS1134 in micrometres
Welding Symbols to BS499 Pt 2
Dimension & Geometrical Tolerances to BS308
Limits & Fits to BS4500
Remove all sharp edges and burrs

TOLERANCE SPECIFICATIONS
UNLESS STATED OTHERWISE

SHEET METAL DIMENSIONS
0 to 300 ± 1.00
300 to 1000 ± 2.00
Over 1000 ± 3.00
MACHINED DIMENSIONS
0 to 150 ± 0.30
Over 150 ± 0.60
UNMACHINED DIMENSIONS
0 to 150 ± 0.50
Over 150 ± 1.50
ANGULAR DIMENSIONS
± 0°-30'

For all material, weld and finish specifications refer to purchase/works order unless stated otherwise

A	DB	03.07.15	FIRST ISSUE
ISSUE	DWN	DATE	REMARKS



OPERATION BY D1 kW 3000rpm REVERSIBLE AIR MOTOR.
USING E1 l/m OF LUBRICATED COMPRESSED AIR AT 5.6bar

*IMPORTANT WHEN USING SPOOL VALVES TO CONTROL UNIT, SUGGESTED PORT SIZES = 1/2" BSP DUE TO FLOW RATES REQUIRED.

Nett Weight = 30Kgs

VALVE FITTED WITH OPEN, CLOSED & TRICKLE POSITION INDICATOR SENSORS.
NOMINAL VOLTAGE - 8.2V (INTRINSICALLY SAFE)
CURRENT CONSUMPTION >3mA & < 1mA WHEN ACTIVATED.

ALL SWITCHES HAVE A 2m SENSOR CABLE EXITING THROUGH A COMMON SINGLE PORT IN THE ABS SWITCH BOX.

OPTIONAL PULSE COUNTING TRICKLE POSITIONING ON OUTPUT SHAFT OF GEARED UNIT.
NOMINAL VOLTAGE - 8.2V (INTRINSICALLY SAFE)
CURRENT CONSUMPTION >3mA & < 1mA WHEN ACTIVATED.

APPROVED BY
CHECKED BY

ALL DIMENSIONS IN MILLIMETRES
THIRD ANGLE PROJECTION



PROCESSCOMPONENTS
MUCON | KEK | GARDNER | PPS
Graphic House, Bank Street, Macclesfield Cheshire SK11 7AR
Tel: +44 (0)1625 412000 Fax: +44 (0)1625 412001
Email: sales@pro-components.com Web: www.pro-components.com

TITLE
A2P12 IRIS DIAPHRAGM VALVE - PNEUMATIC
DRAWING No A4 Series A2P12 Pneumatic

DRAWN BY D. Black
SCALE 1:10
ISSUE A DATE 02/07/2015