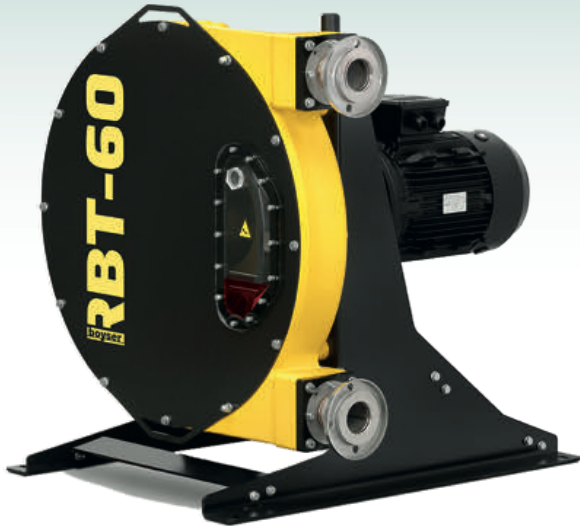


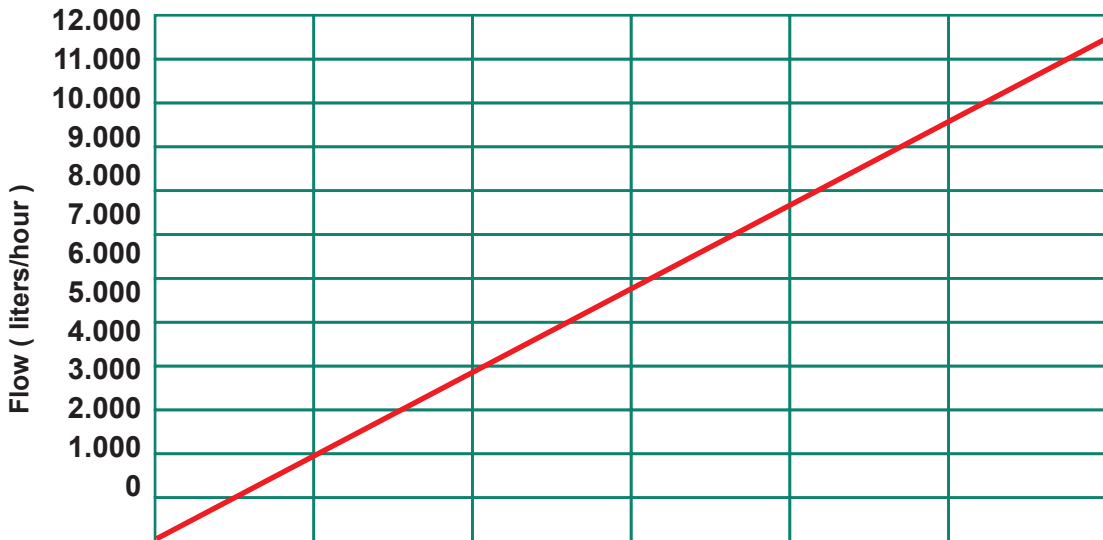


Industrial Peristaltic Pumps

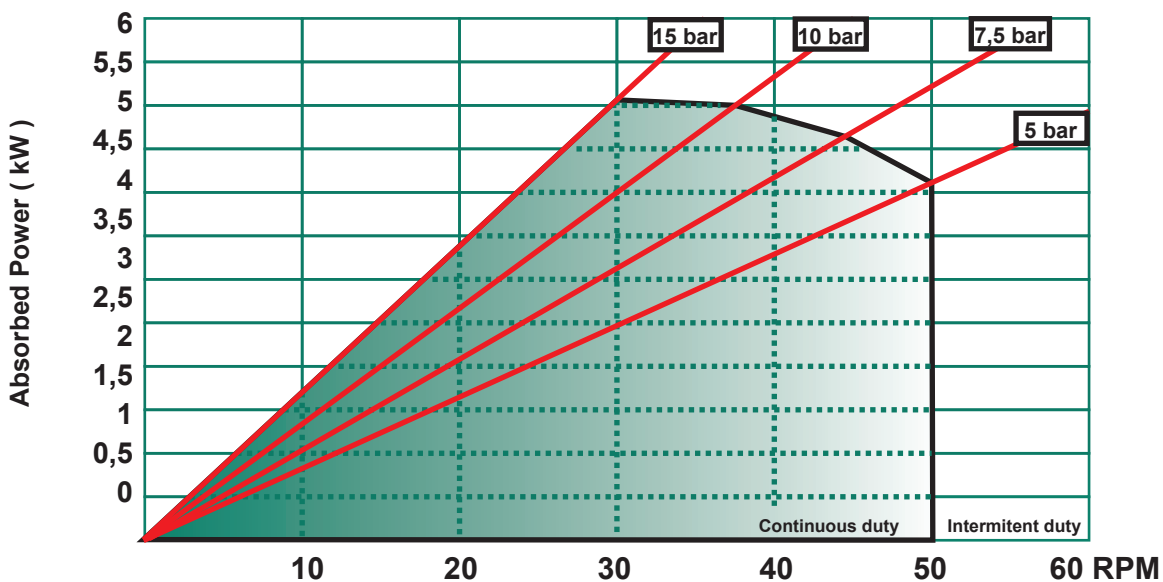
RBT-60/B Data sheet



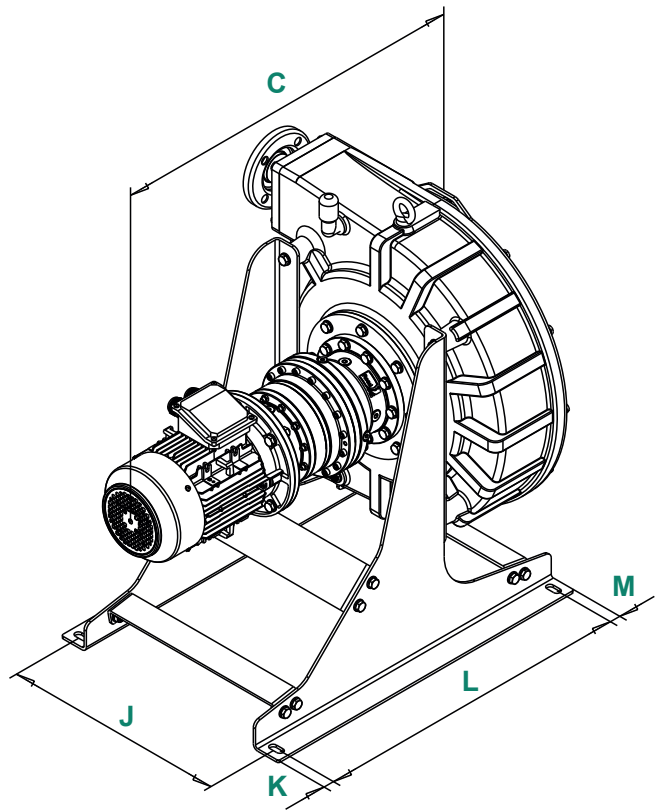
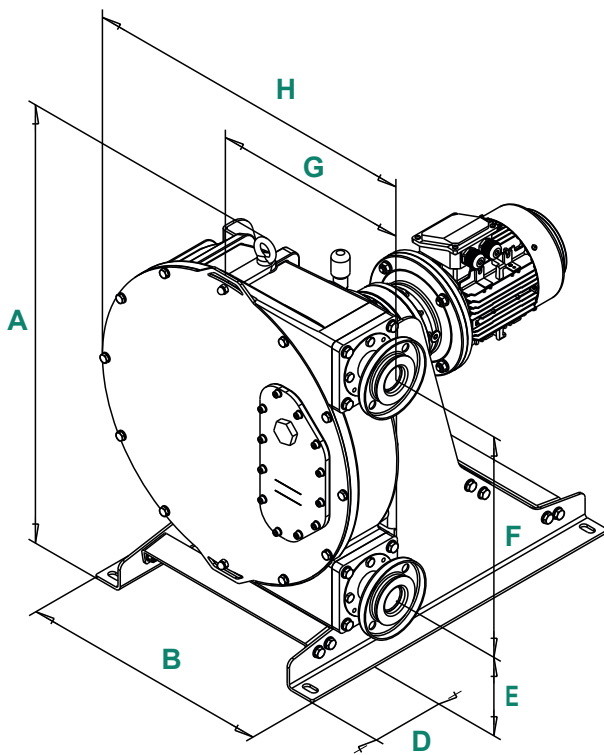
| | |
|-------------------------|------------------------------|
| Capacity: | 3,16 l/rev. |
| Connections: | DN-50 |
| Max. Pressure: | 15 bar |
| Rotor system: | Shoes |
| Available hoses: | NR NBR EPDM HYPALON |



| Pressure (bar) | Torque (Nm) |
|----------------|-------------|
| Minimum | 800 |
| 5 | 800 |
| 7,5 | 1000 |
| 10 | 1300 |
| 15 | 1700 |



| Description | Material | Surface treatment |
|--------------|---|--|
| Pump housing | Cast Iron EN-GJL-250 | Polyester powder coated Halar coated (Optional) |
| Front cover | Steel F-111 / Methacrilate | Polyester powder coated Halar coated (Optional) |
| Rotor | Nodular Cast Iron EN-GJL-400 | Cataphoresis |
| Shoes | Nodular Cast Iron EN-GJL-400 | Hardened |
| Base plate | Steel F-111 Stainless Steel AISI-304 (Optional) | Polyester powder coated -- |
| Connections | Stainless Steel AISI-316 Polypropylene (Optional) PVDF (Optional) | -- |



| A | B | C | D | E | F | G | H | J | K | L | M | Connections |
|-----|-----|---|-----|-----|-----|-----|-----|-----|----|-----|----|-------------|
| 850 | 580 | * | 136 | 212 | 510 | 379 | 708 | 520 | 25 | 740 | 25 | DIN DN50 |

* To confirm according type and power driver.



POMPY i SYSTEMY Sp. z o.o.
 ul. Kolibrów 4, 02-818 Warszawa
 tel. 22 549 79 40
 www.pompy.pl | pompy@pompy.pl