

HELICAL GEAR PUMP
KHP SERIES

KHP4"

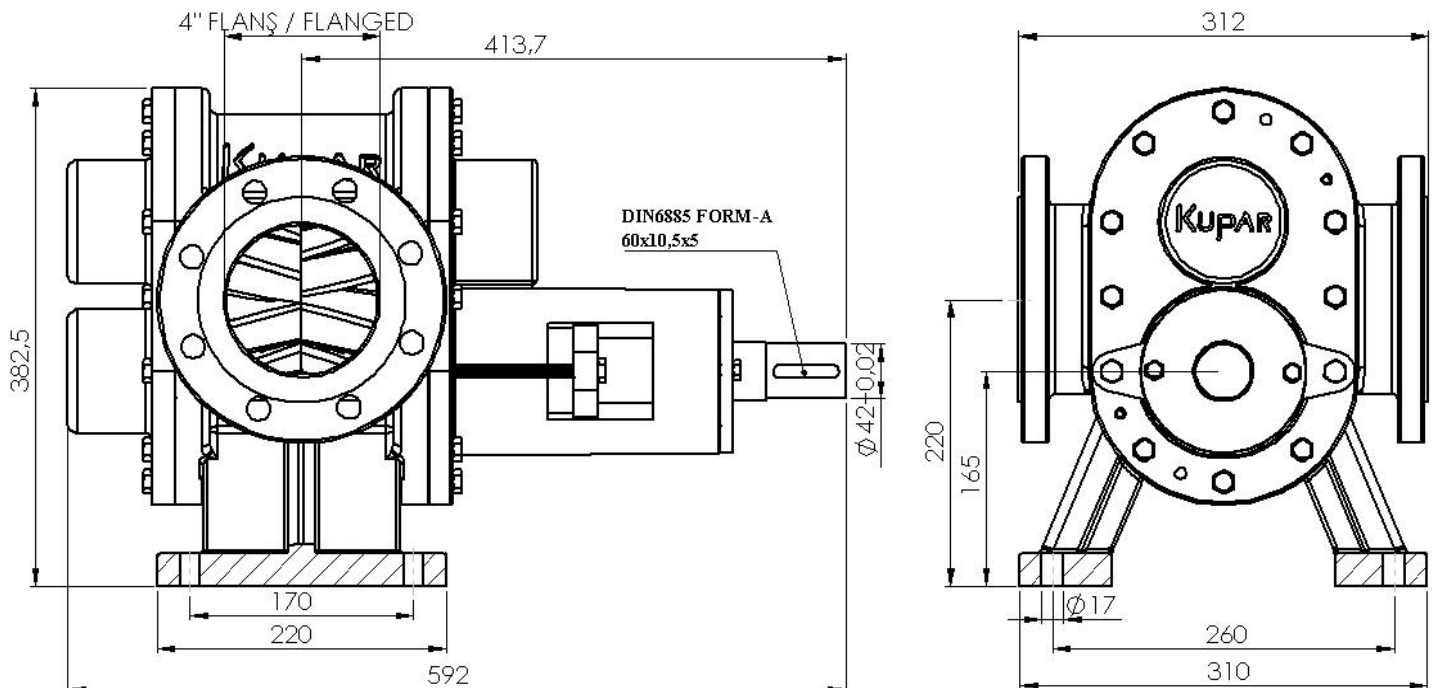


| | |
|-----------------|--|
| Ports | 4" Flange DN100 180° PN16 |
| Pressure | 2-14 bar |
| Flow Rate | 1,250 L/rev |
| Max Flow | 75 m3/h |
| Max Speed | 1000 rpm |
| Viscosity Range | 28 – 25,000 Cp |
| Temperature | 20-200 °C |
| Body Material | Gray Cast (GG25) / Stainless St (AISI316) / Bronze |
| Shaft Material | AISI1040 Steel / Stainless St (AISI316 / AISI420) |
| Gear Material | Pig Iron (GG25) / Stainless St (AISI316) / Bronze |
| Bushing | Bronze / Carbon Aided Teflon / Bearing |
| Sealing | Packing / Mechanical Sealing |
| Accessories | Heat Jacket / Relief Valf / Filter |
| Weight | 107 KG |

ADVANTAGES

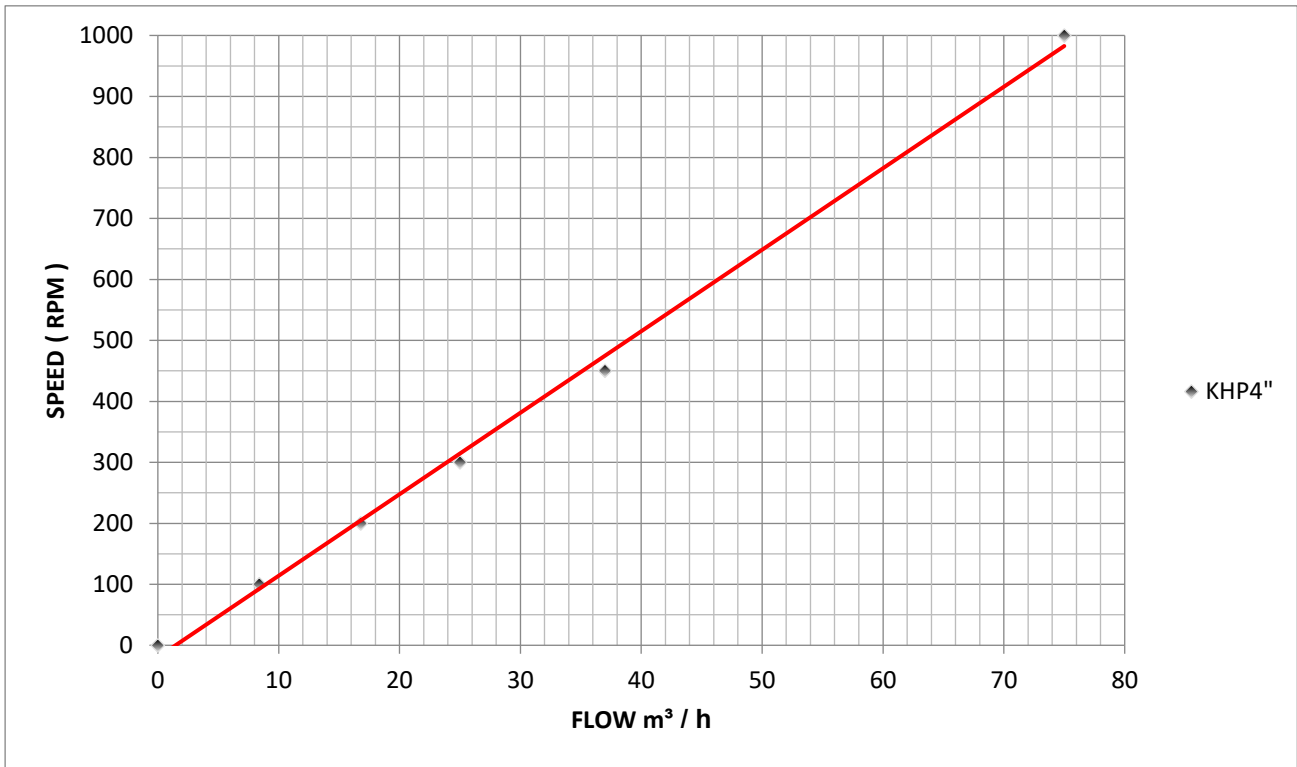
- ▶ High speed
- ▶ Good for relatively low viscosity
- ▶ Relatively quiet operation
- ▶ Operates well in either direction
- ▶ Easy maintenance

DIMENSIONS

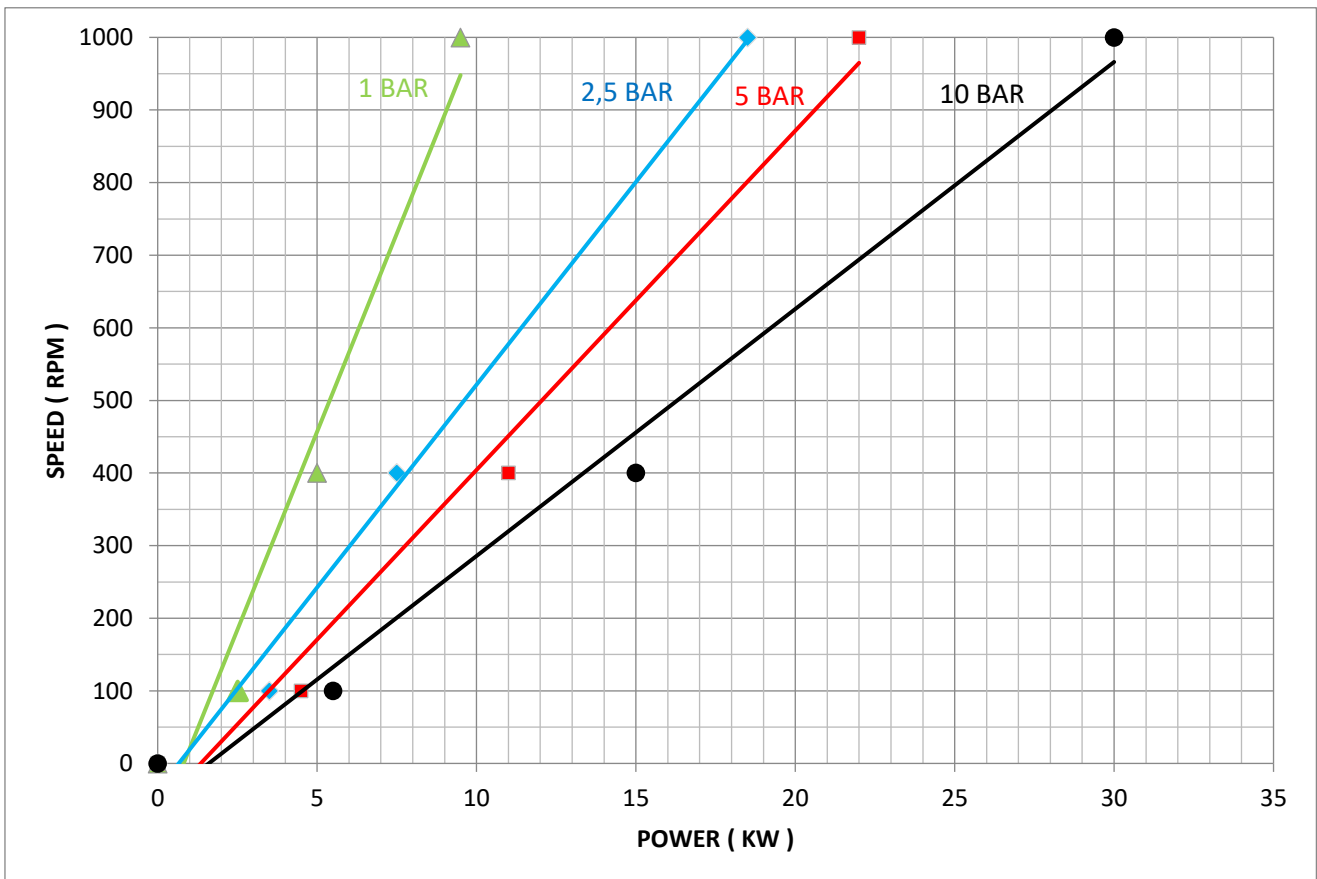


KHP4" HELICAL GEAR PUMP PERFORMANCE CURVES

1- Speed-Flow



2- Speed - Power - Pressure



TESTS HAVE BEEN DONE WITH SAE30 OIL AT ROOM TEMPERATURE (APPROX. 100 CST)