

DO NOT SCALE
DRAWING
IF IN
DOUBT - ASK

DRAWING SPECIFICATIONS
UNLESS STATED OTHERWISE

Screw threads to BS3643
ISO Metric Coarse Pitch Series (Medium Fit)
Surface Finish to BS1134 in micrometres
Welding Symbols to BS499 Pt 2
Dimension & Geometrical Tolerances to BS308
Limits & Fits to BS4500
Remove all sharp edges and burrs

TOLERANCE SPECIFICATIONS
UNLESS STATED OTHERWISE

SHEET METAL DIMENSIONS
0 to 300 ± 1.00
300 to 1000 ± 2.00
Over 1000 ± 3.00

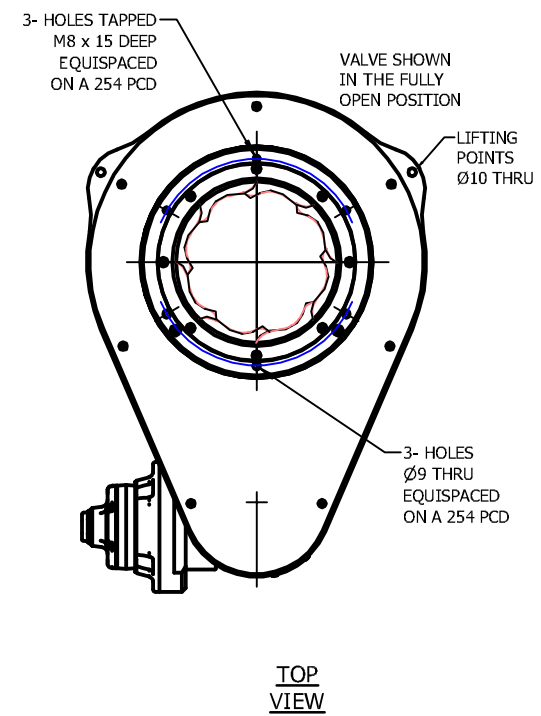
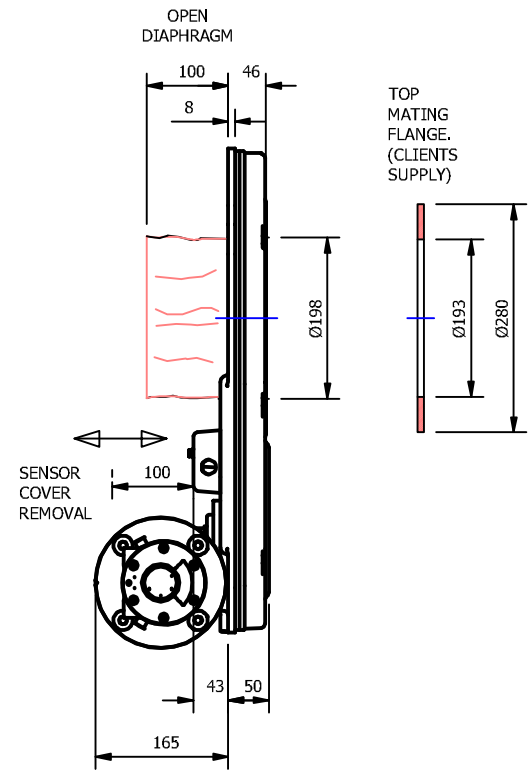
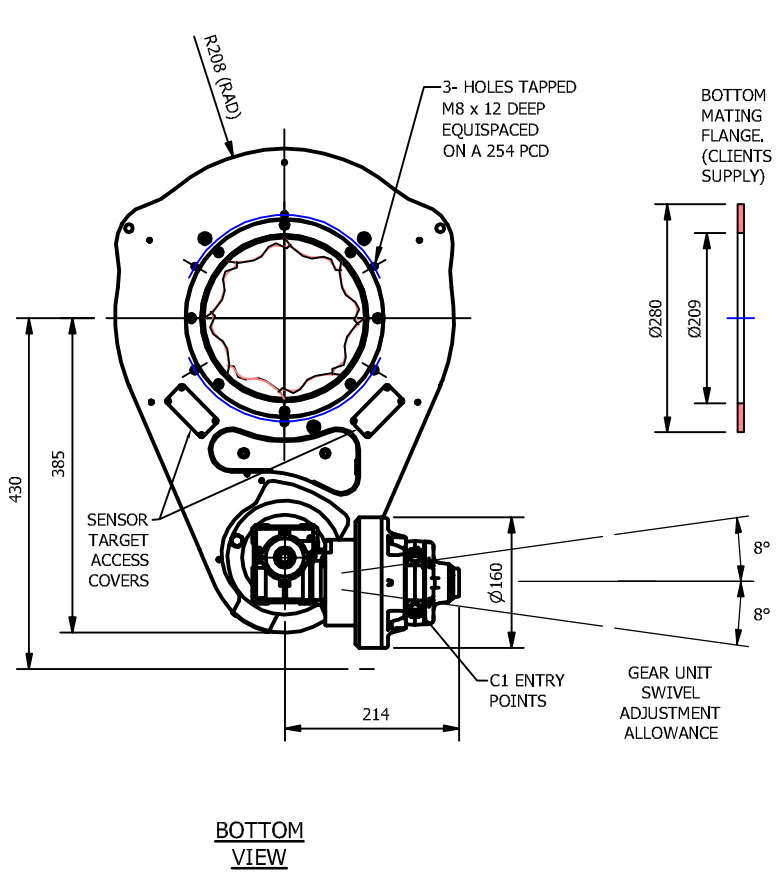
MACHINED DIMENSIONS
0 to 150 ± 0.30
Over 150 ± 0.60

UNMACHINED DIMENSIONS
0 to 150 ± 0.50
Over 150 ± 1.50

ANGULAR DIMENSIONS
± 0'-30'

For all material, weld and finish specifications refer to purchase/works order unless stated otherwise

A	PB	30.06.15	FIRST ISSUE
ISSUE	DWN	DATE	REMARKS



OPERATION BY D1 kW 3000rpm REVERSIBLE AIR MOTOR.
USING E1 1/m OF LUBRICATED COMPRESSED AIR AT 5.6bar

***IMPORTANT** WHEN USING SPOOL VALVES TO CONTROL UNIT, SUGGESTED PORT SIZES = 1/2" BSP DUE TO FLOW RATES REQUIRED.

Nett Weight = 17Kgs

VALVE FITTED WITH OPEN, CLOSED & TRICKLE POSITION INDICATOR SENSORS.
NOMINAL VOLTAGE - 8.2V (INTRINSICALLY SAFE)
CURRENT CONSUMPTION >3mA & <1mA WHEN ACTIVATED.

ALL SWITCHES HAVE A 2m SENSOR CABLE EXITING THROUGH A COMMON SINGLE PORT IN THE ABS SWITCH BOX.

OPTIONAL PULSE COUNTING TRICKLE POSITIONING ON OUTPUT SHAFT OF GEARED UNIT.
NOMINAL VOLTAGE - 8.2V (INTRINSICALLY SAFE)
CURRENT CONSUMPTION >3mA & <1mA WHEN ACTIVATED.

APPROVED BY	ALL DIMENSIONS IN MILLIMETRES
CHECKED BY	
	THIRD ANGLE PROJECTION

PROCESSCOMPONENTS
MUCON | KEK | GARDNER | PPS

Graphic House, Bank Street, Macclesfield Cheshire SK11 7AR
Tel: +44 (0)1625 412000 Fax: +44 (0)1625 412001
Email: sales@pro-components.com Web: www.pro-components.com

TITLE	A2P08 IRIS DIAPHRAGM VALVE - PNEUMATIC
DRAWING No	A4 Series A2P08 Pneumatic

DRAWN BY	P. BALLEBY
SCALE	1:10
ISSUE	A
DATE	27/07/2015