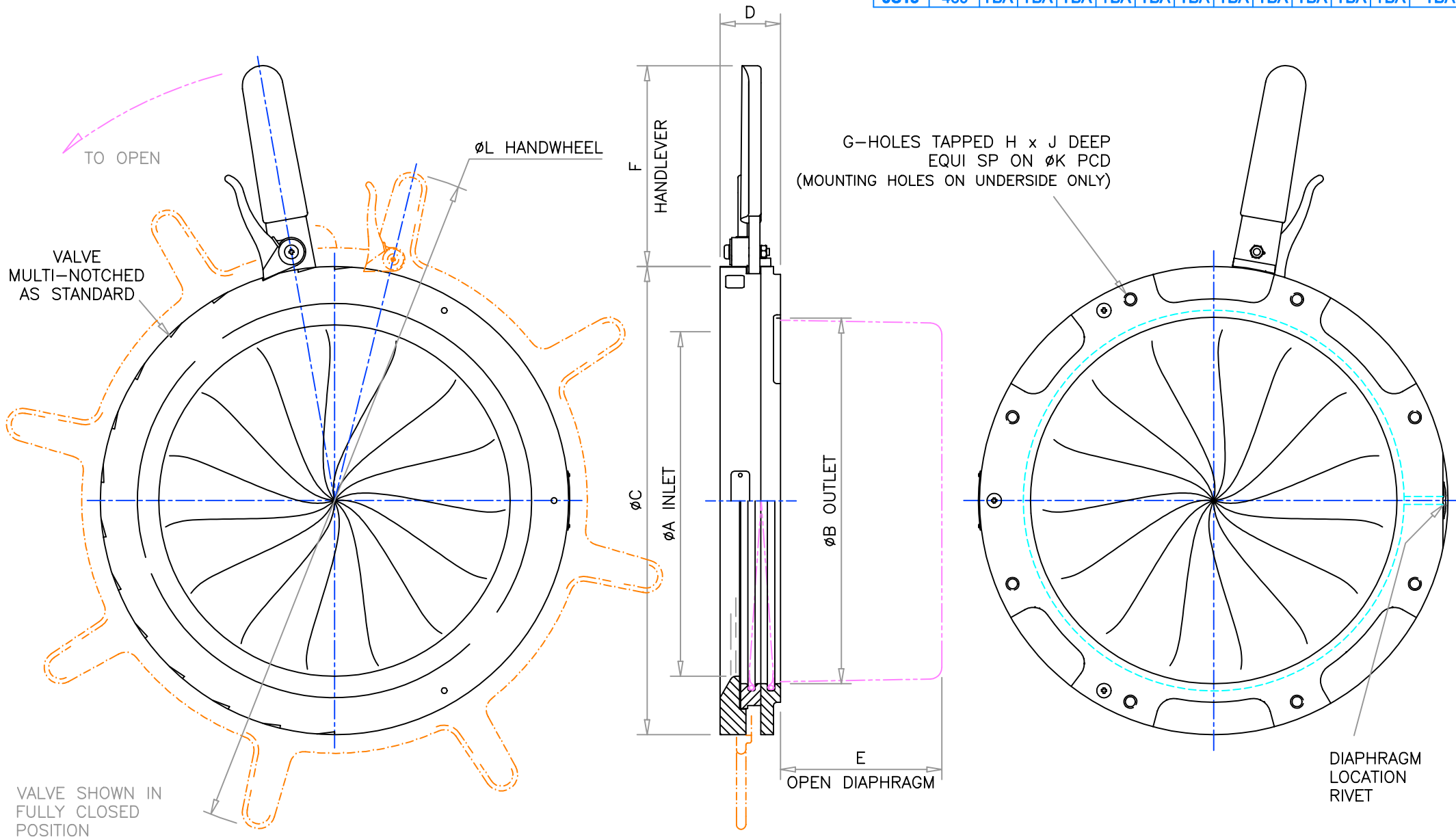




# Mucon

The Power to Control Powders

Valve Type	Nom Bore	All dimensions in mm / Weights given for All unit in kgs											Nett Weight
		A	B	C	D	E	F	G	H	J	K	L	
JS12	300	305	320	406	52	145	174	8	M10	17	378	N/A	7.9
JS15	380	381	398	500	60	190	N/A	12	M10	18	470	720	13.8
JS18	460	TBA	TBA	TBA	TBA	TBA	TBA	TBA	TBA	TBA	TBA	TBA	TBA



## Series JS Hand Operated Iris Diaphragm Valve

Although every effort is made to ensure this data is current, our products are subject to ongoing development and accordingly we reserve the right to change specifications and details without prior notice. Always request a certified drawing