

HELICAL GEAR PUMP
KHP SERIES

KHP2½"

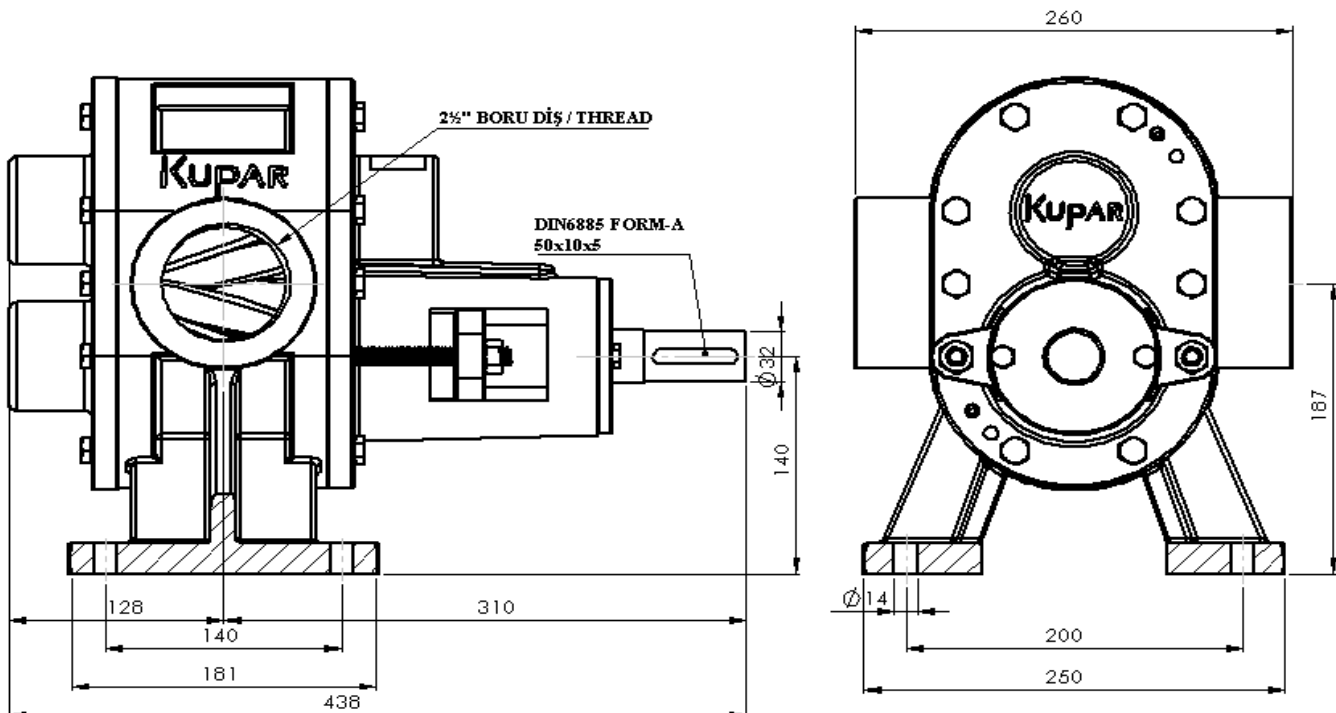


Ports	2½" Pipe Thread 180° PN16
Pressure	2-14 bar
Flow Rate	0,583 L/rev
Max Flow	35 m3/h
Max Speed	1000 rpm
Viscosity Range	28 – 25,000 Cp
Temperature	20-200 °C
Body Material	Cast Iron (GG25) / Stainless St (AISI316) / Bronze
Shaft Material	AISI1040 Steel / Stainless St (AISI316 / AISI420)
Gear Material	Cast Iron (GG25) / Stainless St (AISI316) / Bronze
Bushing	Bronze / Carbon Aided Teflon / Bearing
Sealing	Packing / Mechanical Sealing
Accessories	Heat Jacket / Relief Valf / Filter
Weight	54,5 KG

ADVANTAGES

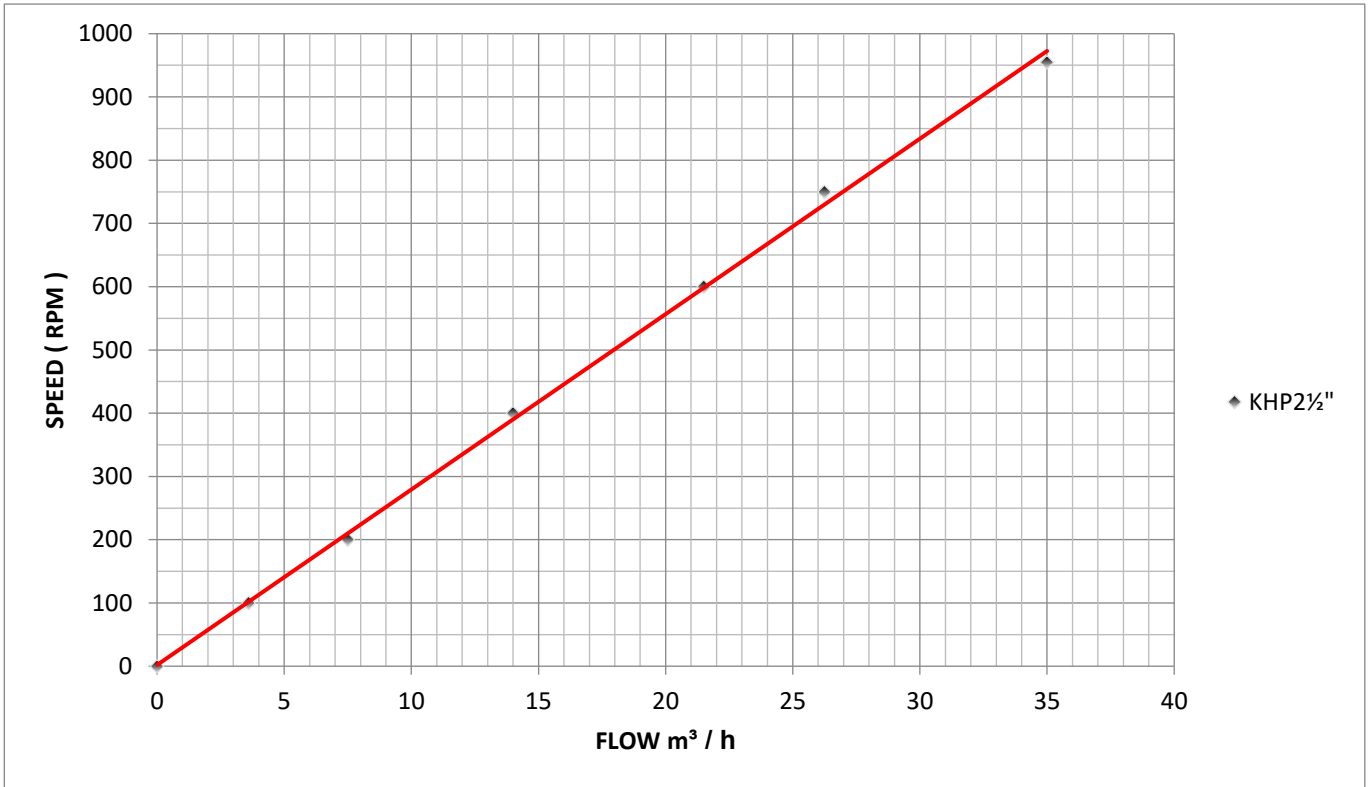
- ▶ High speed
- ▶ Good for relatively low viscosity
- ▶ Relatively quite operation
- ▶ Operates well in either direction
- ▶ Easy maintenance

DIMENSIONS

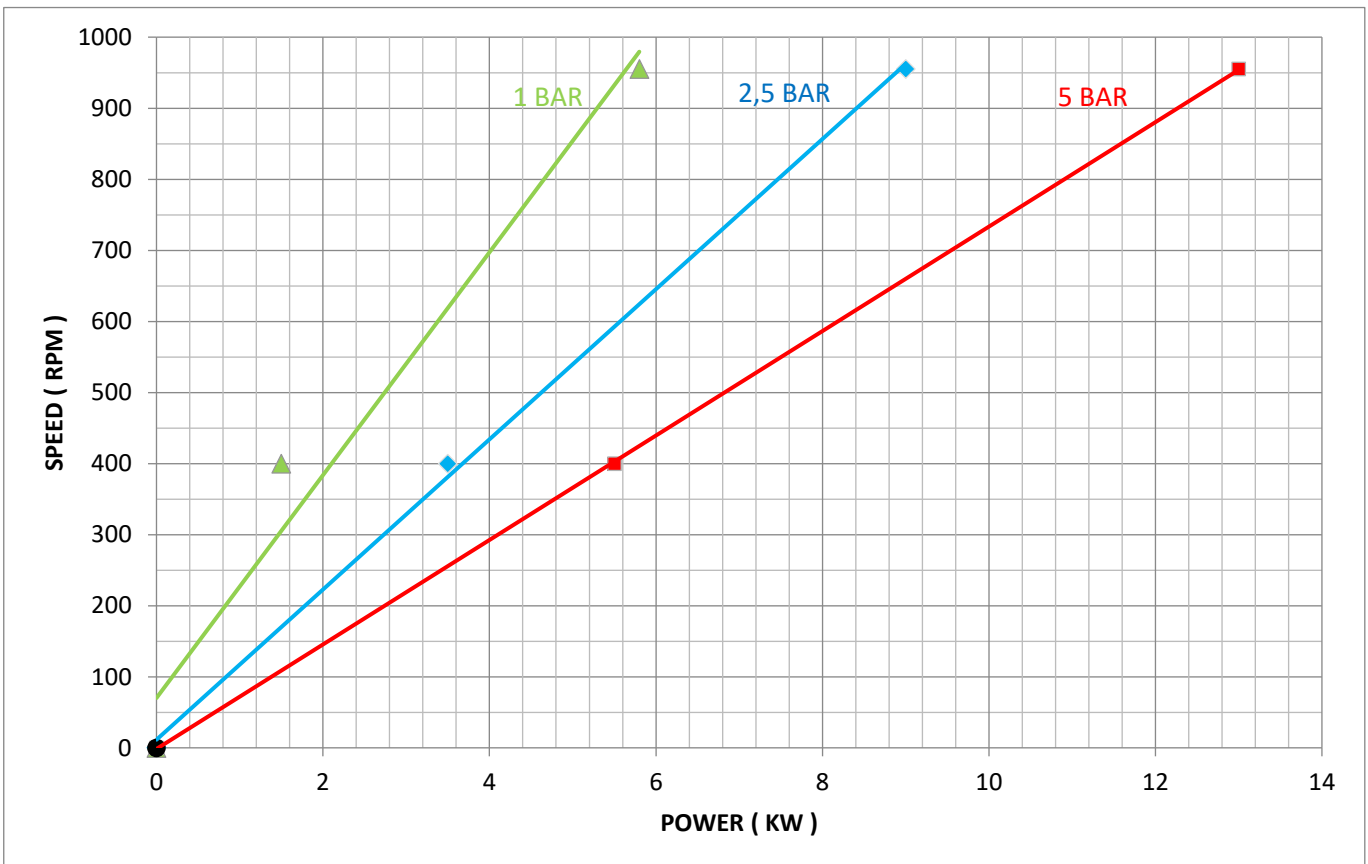


KHP2½" HELICAL GEAR PUMP PERFORMANCE CURVES

1- Speed-Flow



2- Speed - Power - Pressure



TESTS HAVE BEEN DONE WITH SAE30 OIL AT ROOM TEMPERATURE (APPROX. 100 CST)