

INTERNAL GEAR PUMP
KIP SERIES

KIP1"

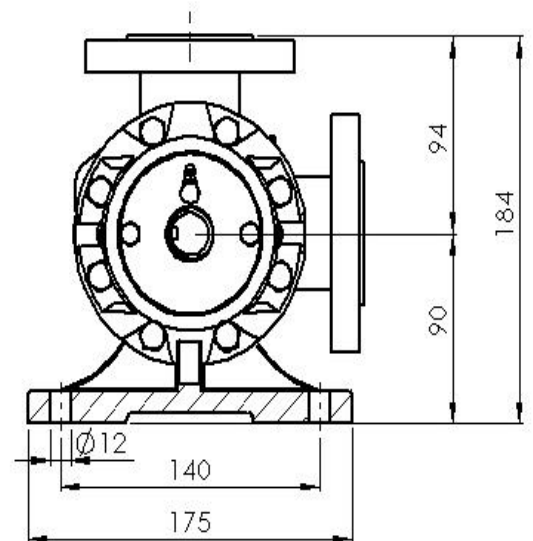
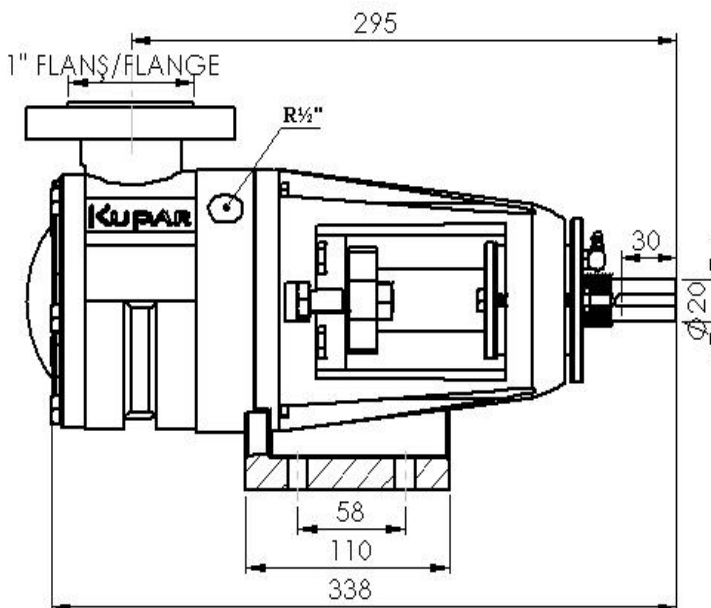


Ports	1" DN25 Flange / Pipe Thread 90° PN16
Pressure	2-14 bar
Flow Rate	0,033 L/rev
Max Flow	2 m3/h
Max Speed	1000 rpm
Viscosity Range	28 – 50,000 Cp
Temperature	20-180 °C
Body Material	Gray Cast (GG25) / Stainless Steel (AISI316)
Shaft Material	AISI1040 Steel / Stainless Steel (AISI316)
Gear Material	AISI1040 Steel / Stainless Steel (AISI316)
Bushing	Bronze / Carbon Aided Teflon / Bearing
Sealing	Packing / Mechanical Sealing
Accessories	Heat Jacket / By-Pass / Filter
Weight	15 KG

ADVANTAGES

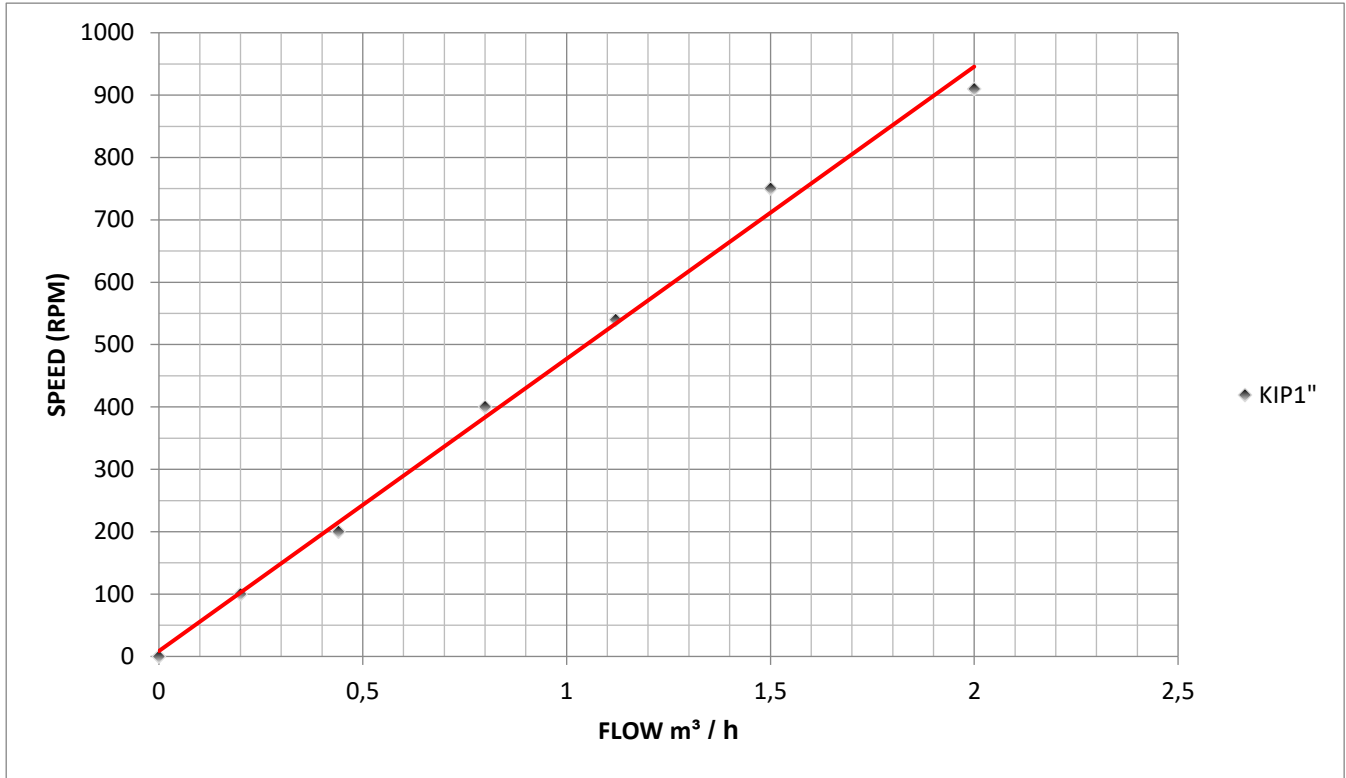
- ▶ Smaller body than the external gear pumps that supplies the same values
- ▶ Positive suction and non pulsating discharge
- ▶ Ideal for high-viscosity liquids because they work at low speeds
- ▶ Adjustable end clearance
- ▶ Easy to maintain
- ▶ Long life

DIMENSIONS

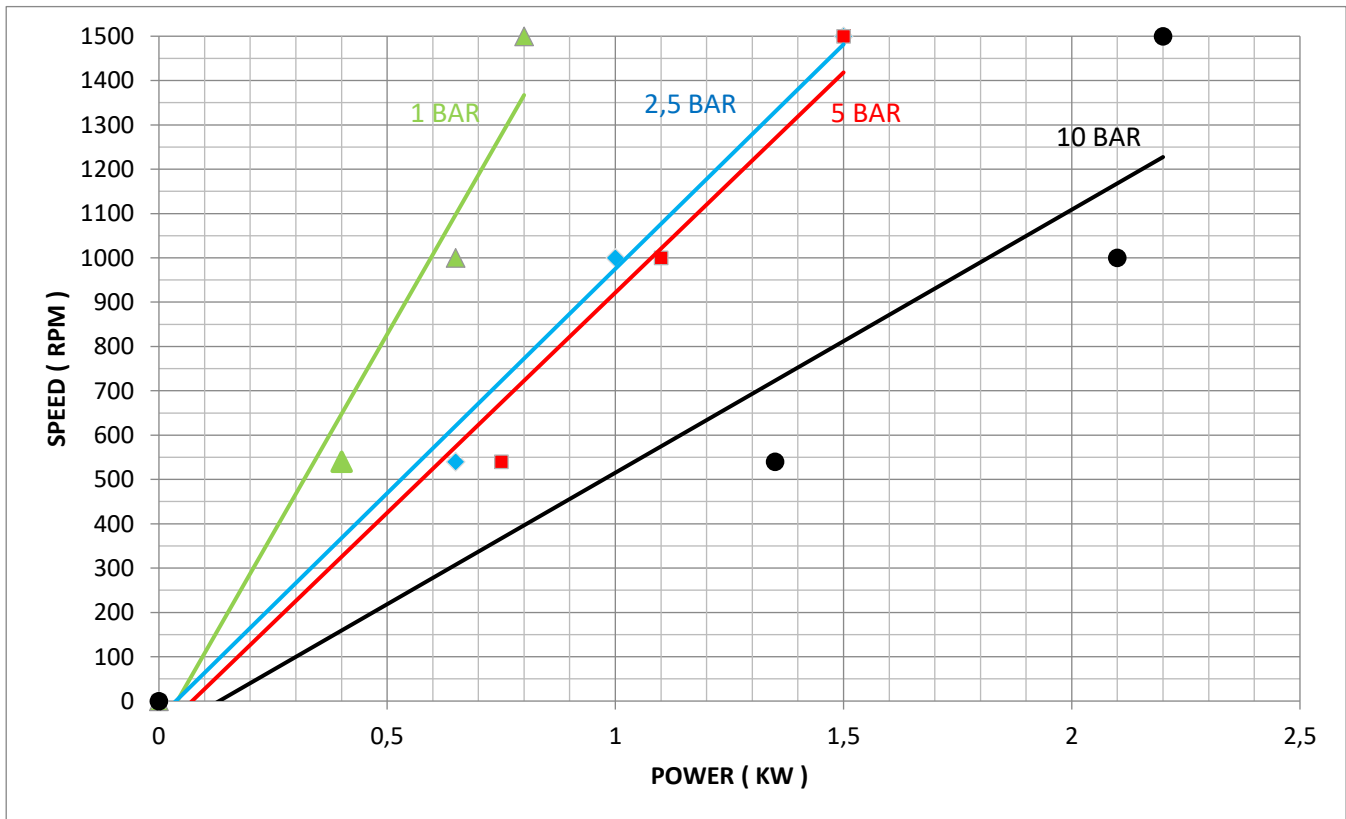


KIP1" INTERNAL GEAR PUMP PERFORMANCE CURVES

1- Speed-Flow



2- Speed - Power - Pressure



TESTS HAVE BEEN DONE WITH SAE30 OIL AT ROOM TEMPERATURE (APPROX. 100 CST)