

DO NOT SCALE
DRAWING
IF IN
DOUBT - ASK

DRAWING
SPECIFICATIONS
UNLESS STATED OTHERWISE

Screw threads to BS3643

ISO Metric Coarse Pitch
Series (Medium Fit)

Surface Finish to BS1134
in micrometres

Welding Symbols to
BS499 Pt 2

Dimension & Geometrical
Tolerances to BS308

Limits & Fits to BS4500
Remove all sharp edges
and burrs

TOLERANCE
SPECIFICATIONS
UNLESS STATED OTHERWISE

SHEET METAL DIMENSIONS
0 to 300 ± 1.00
300 to 1000 ± 2.00
Over 1000 ± 3.00

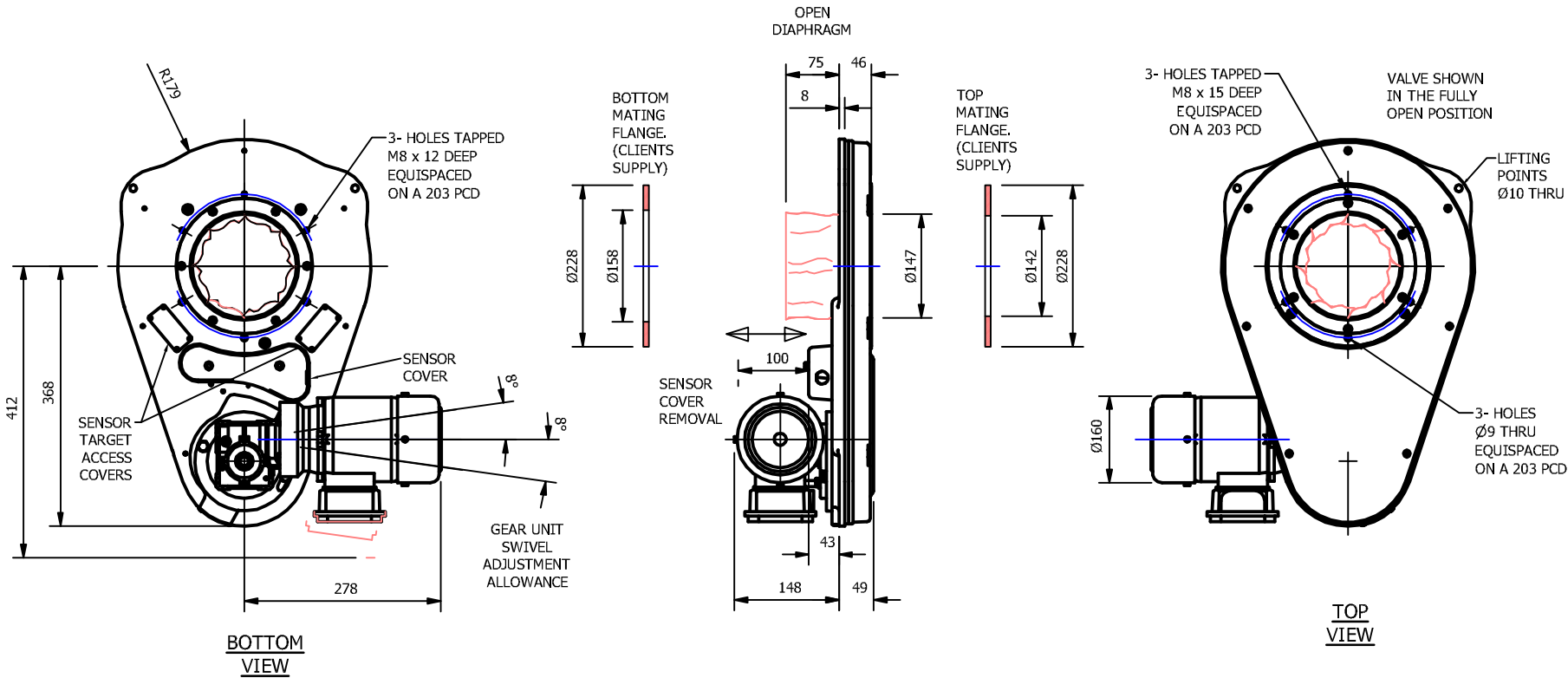
MACHINED DIMENSIONS
0 to 150 ± 0.30
Over 150 ± 0.60

UNMACHINED DIMENSIONS
0 to 150 ± 0.50
Over 150 ± 1.50

ANGULAR DIMENSIONS
± 0'-30'

For all material, weld
and finish specifications
refer to purchase/works
order unless stated
otherwise

ISSUE	OWN	DATE	REMARKS
A	PB	30.06.15	FIRST ISSUE



OPERATION BY 0.37kW
2-POLE, IP55 INDUCTION
MOTOR, SUITABLE FOR:
220/240-380/415V - 3ph -
50/60Hz SUPPLY.

Nett Weight = 14Kgs

VALVE FITTED WITH OPEN, CLOSED & TRICKLE POSITION
INDICATOR SENSORS.
NOMINAL VOLTAGE - 8.2V (INTRINSICALLY SAFE)
CURRENT CONSUMPTION >3mA & <1mA WHEN ACTIVATED.

ALL SWITCHES HAVE A 2m SENSOR CABLE EXITING THROUGH
A COMMON SINGLE PORT IN THE ABS SWITCH BOX.

OPTIONAL PULSE COUNTING TRICKLE POSITIONING ON
OUTPUT SHAFT OF GEARED UNIT.
NOMINAL VOLTAGE - 8.2V (INTRINSICALLY SAFE)
CURRENT CONSUMPTION >3mA & <1mA WHEN ACTIVATED.

APPROVED BY
CHECKED BY

ALL DIMENSIONS
IN MILLIMETRES
THIRD ANGLE PROJECTION

PROCESSCOMPONENTS
MUCON | KEK | GARDNER | PPS
Graphic House, Bank Street, Macclesfield Cheshire SK11 7AR
Tel: +44 (0)1625 412000 Fax: +44 (0)1625 412001
Email: sales@pro-components.com Web: www.pro-components.com

TITLE
A2P06 IRIS DIAPHRAGM
VALVE - ELECTRIC
DRAWING No
A4 Series A2P06 Electric

DRAWN BY
P. BALLEBY
SCALE
1:10
ISSUE
A
DATE
27/07/2015