

INTERNAL GEAR PUMP  
KIP SERIES

KIPK $\frac{1}{2}$ "

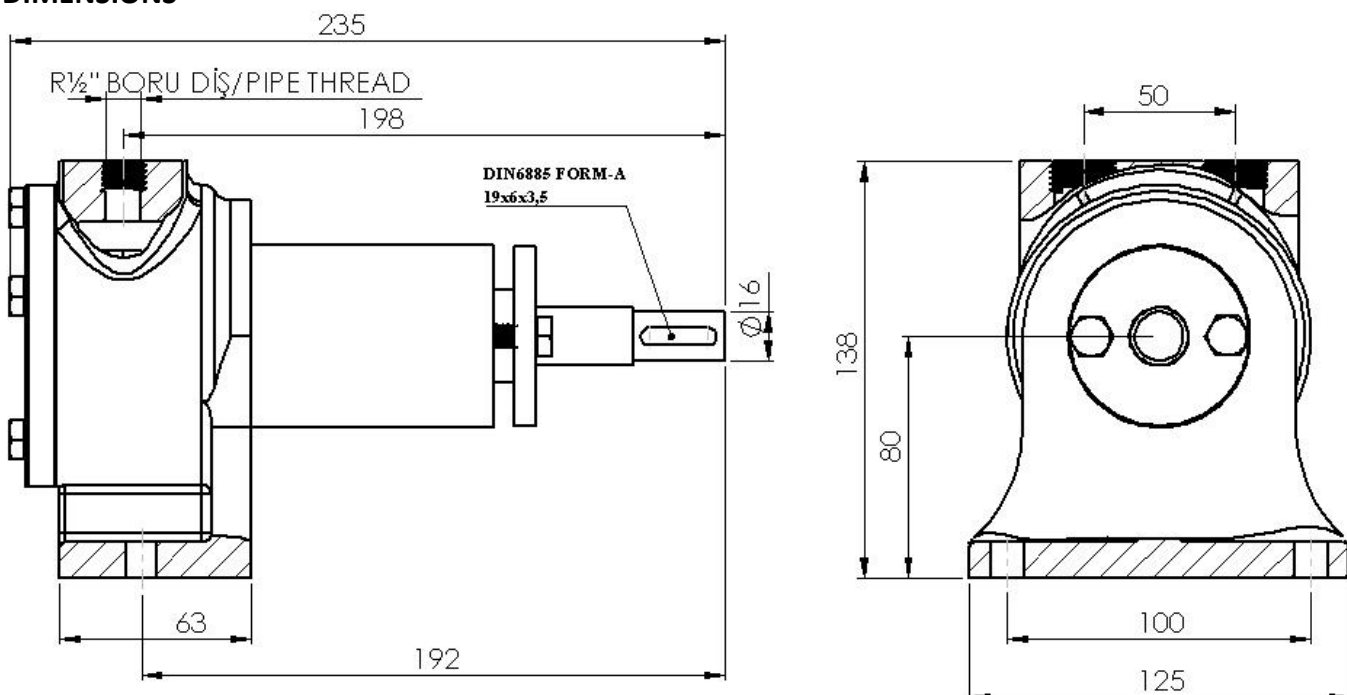


Ports	$\frac{1}{2}$ " Pipe Thread
Pressure	2-14 bar
Flow Rate	0,01 L/rev
Max Flow	0,9 m <sup>3</sup> /h
Max Speed	1500 rpm
Viscosity Range	28 – 50,000 Cp
Temperature	20-180 °C
Body Material	Gray Cast Iron (GG25)
Shaft Material	AISI1040 Steel
Gear Material	AISI1040 Steel
Bushing	Bronze / Carbon Aided Teflon / Bearing
Sealing	Packing / Mechanical Sealing
Accessories	Heat Jacket / Filter
Weight	7 KG

**ADVANTAGES**

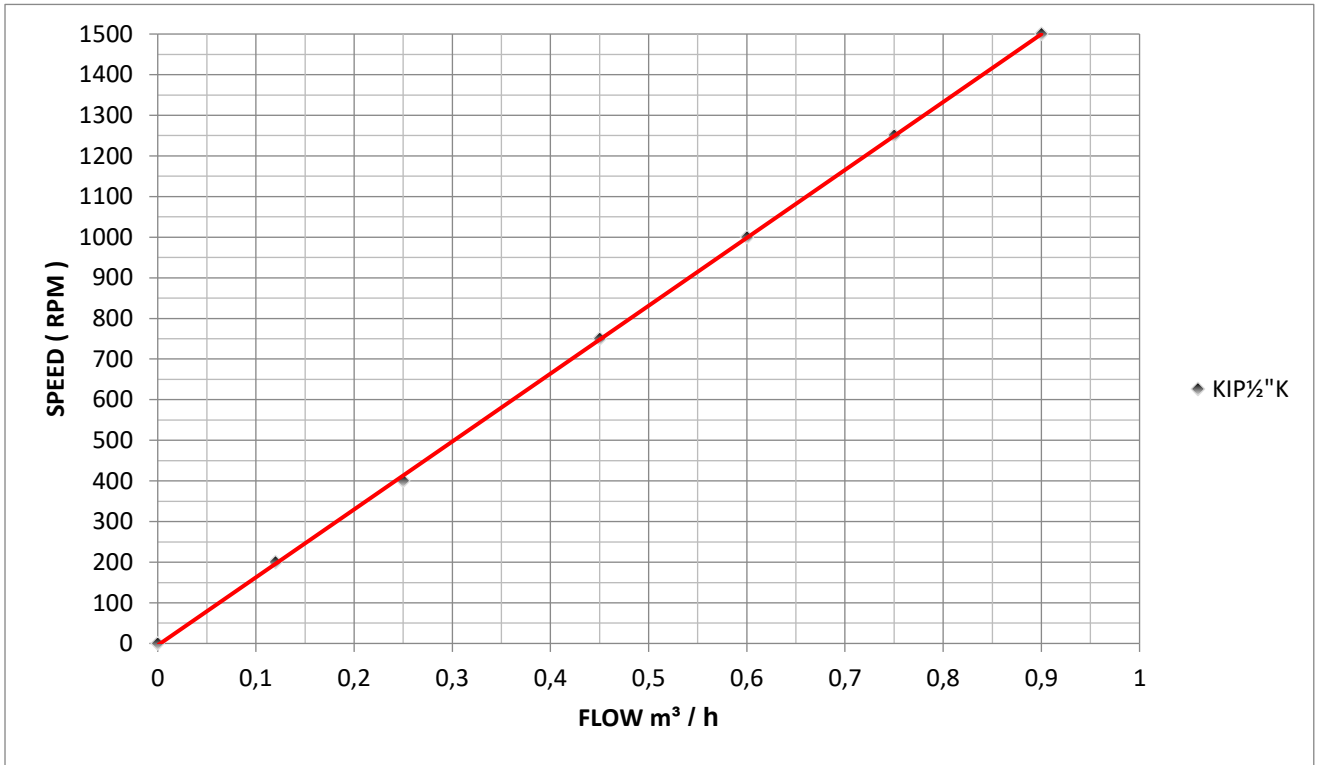
- ▶ Smaller body than the external gear pumps that supplies the same values
- ▶ Positive suction and non pulsating discharge
- ▶ Ideal for high-viscosity liquids because they work at low speeds
- ▶ Adjustable end clearance
- ▶ Easy to maintain
- ▶ Long life

**DIMENSIONS**

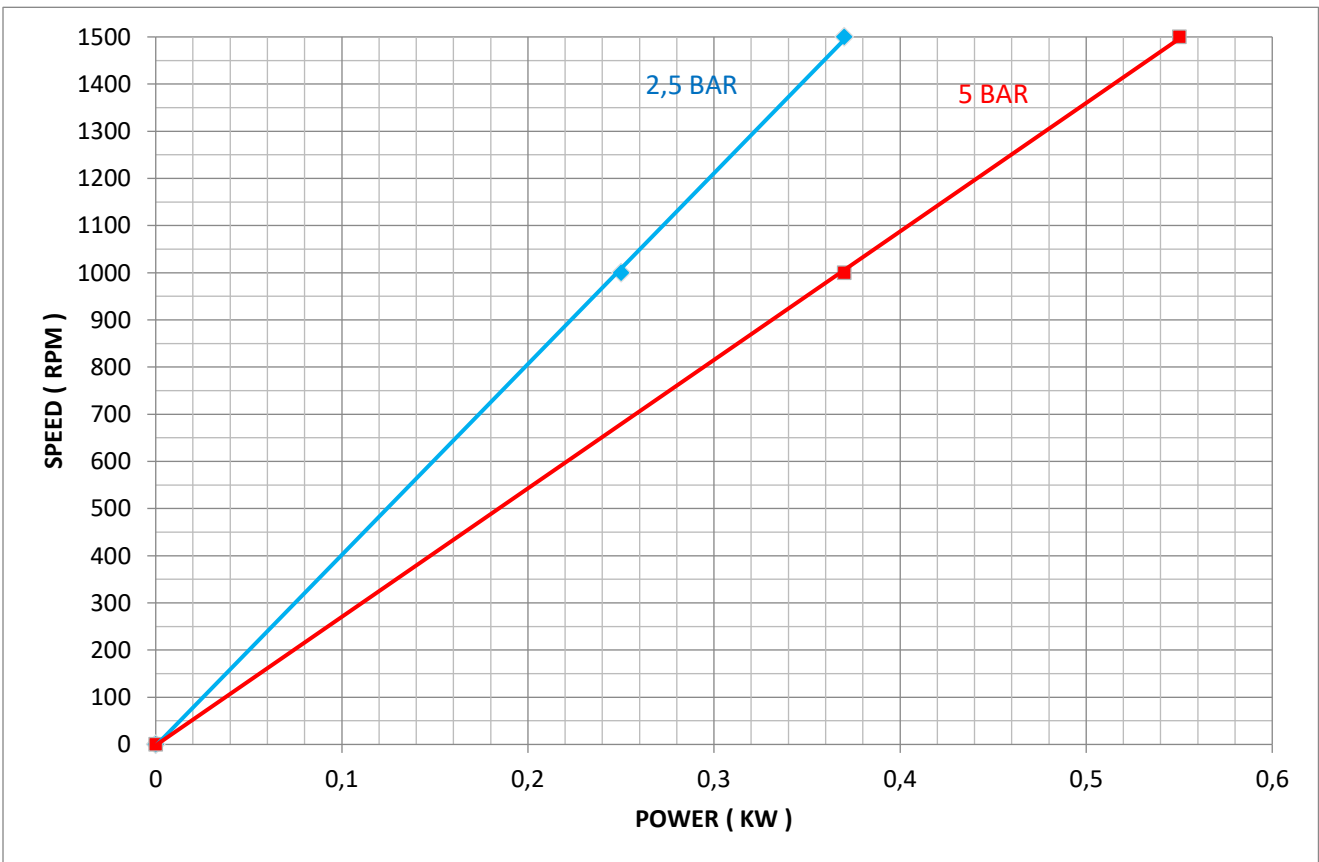


# KIPK½" INTERNAL GEAR PUMP PERFORMANCE CURVES

## 1- Speed-Flow



## 2- Speed - Power - Pressure



TESTS HAVE BEEN DONE WITH SAE30 OIL AT ROOM TEMPERATURE (APPROX. 100 CST)